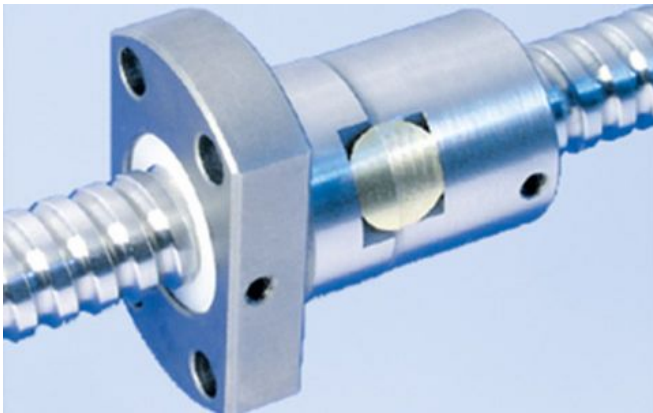


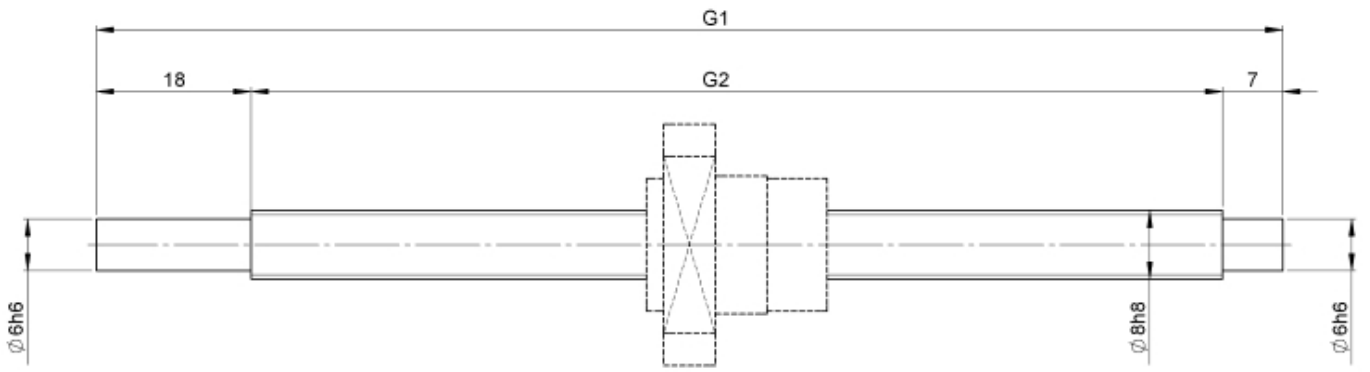
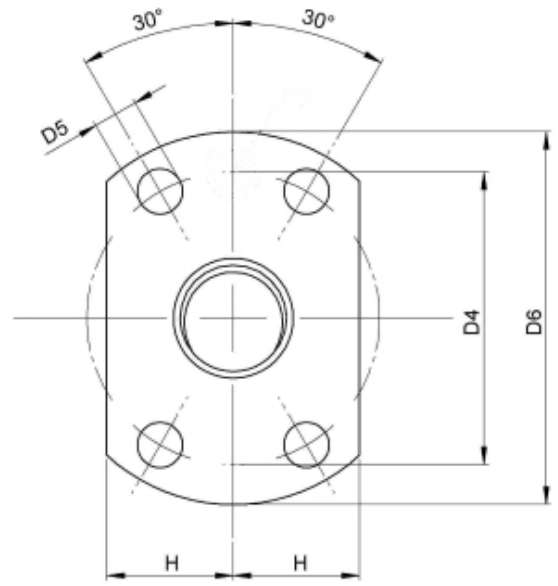
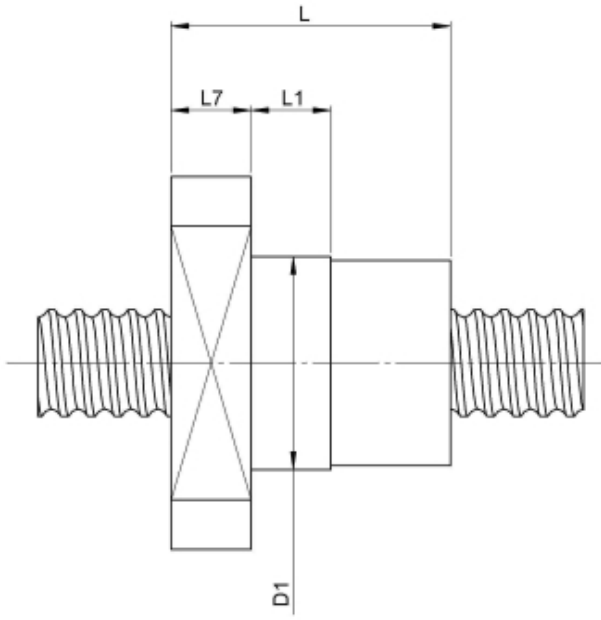
1412/0,5.8.245.270

DESCRIPTION

- Nut Series 1412 with **internal ball return**, Flange single nut with 4-point-contact with standard synthetic wipers on both ends
- Nut shape design for assembly by flange
- Single start ball thread, ground execution according to accuracy class P1 - P5
- Miniature ball screws also available with axial play



TECHNICAL DATA AND DIMENSIONS



Series	1412			No. of starts	1		
Nominal diameter	[mm]	dN	8	Friction torque FROM	[Ncm]	2,0	
Lead	[mm]	P	0,5	Friction torque TO	[Ncm]	2,0	
Shaft style	A			Accuracy	P		
Nominal stroke	[mm]	200		Preload/backlash free/with backlash	backlash free		
Overall length	[mm]	G1	270	Nut length	[mm]	L	22
Thread length	[mm]	G2	245	Dynamic load capacity	[kN]	Ca	0,40
Ball circles	i		1x3	Static load capacity	[kN]	C0a	0,50
Ball diameter	[mm]	dW	0,6	Pilot diameter	[mm]	D1	16
DN-value	120000						

August Steinmeyer GmbH & Co. KG | Riedstraße 7 | 72458 Albstadt | Phone +49 (0) 7431 1288-0 | Fax +49 (0) 7431 1288-89 | info@steinmeyer.com

Drive Technology, Ball Screws, Precision Ball Screws, Miniature Ball Screws, Ultra Thrust Ball Screws, Rotating Nuts, Cooled Ball Screws, Precision Lead Screws, Differential Rolled Screws, Rolled Ball Screws