

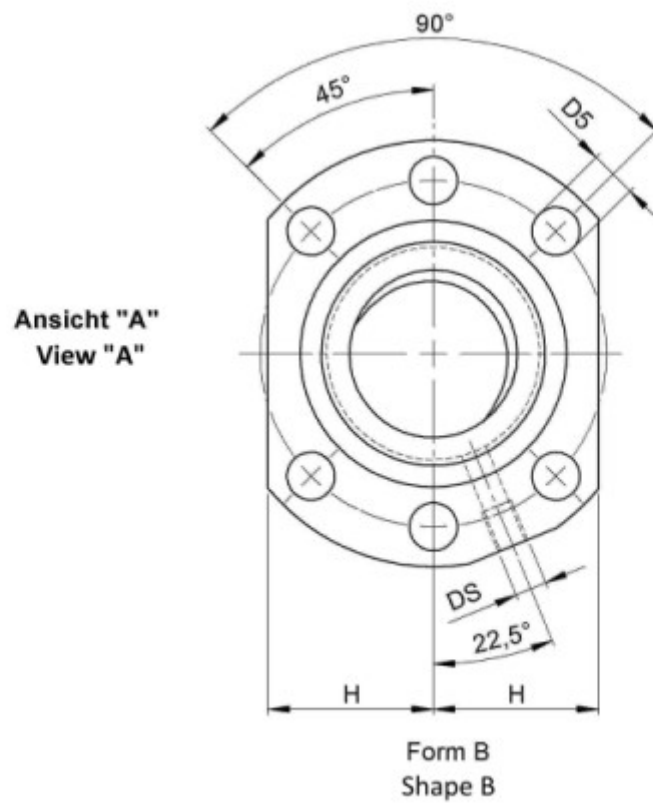
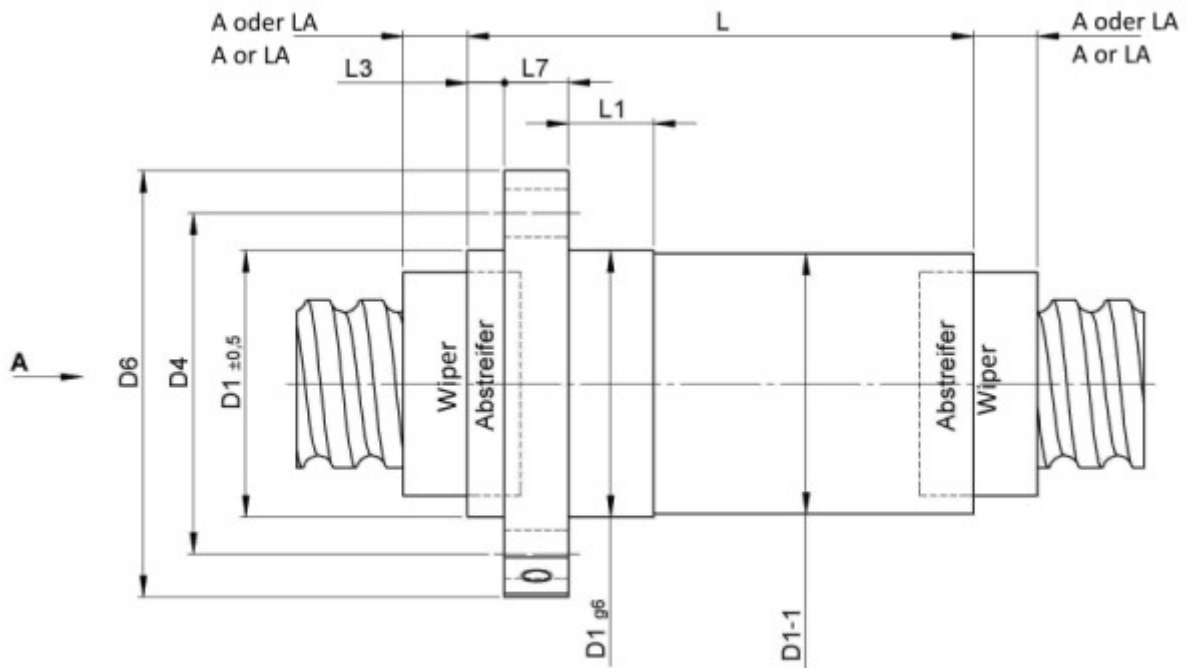
2526/25.25.3,5.2E

DESCRIPTION

- ETA+ Nut Series with end cap ball return
- Flange nut with standard wipers on both ends
- Nut shape according to DIN for assembly by flange
- Multiple start ball thread, ground execution according to accuracy class P1 - P5



TECHNICAL DATA AND DIMENSIONS



| | | | | | | | |
|------------------|--------|----|-----|-----------------------|-------|-----|-------|
| Series | 2526 | | | Friction torque FROM | [Ncm] | 1,1 | |
| Nominal diameter | [mm] | dN | 25 | Friction torque TO | [Ncm] | 9,5 | |
| Lead | [mm] | P | 25 | Accuracy | P | | |
| Ball circles | i | | 2+2 | Nut length | [mm] | L | 66 |
| Ball diameter | [mm] | dW | 3,5 | Dynamic load capacity | [kN] | Ca | 10,60 |
| DN-value | 160000 | | | Static load capacity | [kN] | C0a | 13,50 |
| No. of starts | 2 | | | Pilot diameter | [mm] | D1 | 40 |

August Steinmeyer GmbH & Co. KG | Riedstraße 7 | 72458 Albstadt | Phone +49 (0) 7431 1288-0 | Fax +49 (0) 7431 1288-89 | info@steinmeyer.com

Drive Technology, Ball Screws, Precision Ball Screws, Miniature Ball Screws, Ultra Thrust Ball Screws, Rotating Nuts, Cooled Ball Screws, Precision Lead Screws, Differential Rolled Screws, Rolled Ball Screws