

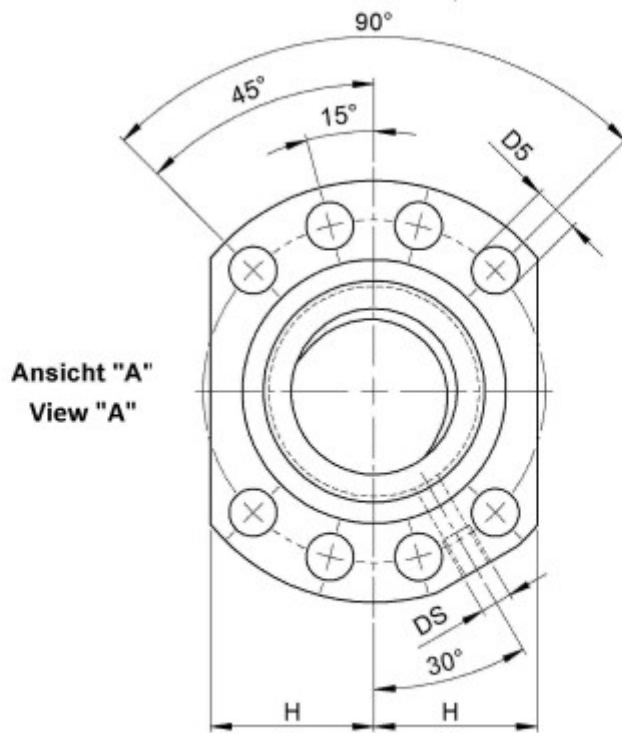
3526/30.50.6.4E

DESCRIPTION

- **ETA+ Nut Series** with external ball return
- Flange nut with wipers on both ends
- Product photo shows combination wipers
- Nut shape according to DIN for assembly by flange
- Multiple start ball thread, ground execution according to accuracy class P1 - P5



TECHNICAL DATA AND DIMENSIONS



Ansicht "A"
View "A"

Form B
Shape B

Series			3526	Friction torque FROM	[Ncm]		41,5
Nominal diameter	[mm]	dN	50	Friction torque TO	[Ncm]		86,3
Lead	[mm]	P	30	Accuracy			P
Ball circles		i	4+4	Nut length	[mm]	L	148
Ball diameter	[mm]	dW	6	Dynamic load capacity	[kN]	Ca	63,90
DN-value			160000	Static load capacity	[kN]	C0a	108,90
No. of starts			2	Pilot diameter	[mm]	D1	75

August Steinmeyer GmbH & Co. KG | Riedstraße 7 | 72458 Albstadt | Phone +49 (0) 7431 1288-0 | Fax +49 (0) 7431 1288-89 | info@steinmeyer.com

Drive Technology, Ball Screws, Precision Ball Screws, Miniature Ball Screws, Ultra Thrust Ball Screws, Rotating Nuts, Cooled Ball Screws, Precision Lead Screws, Differential Rolled Screws, Rolled Ball Screws