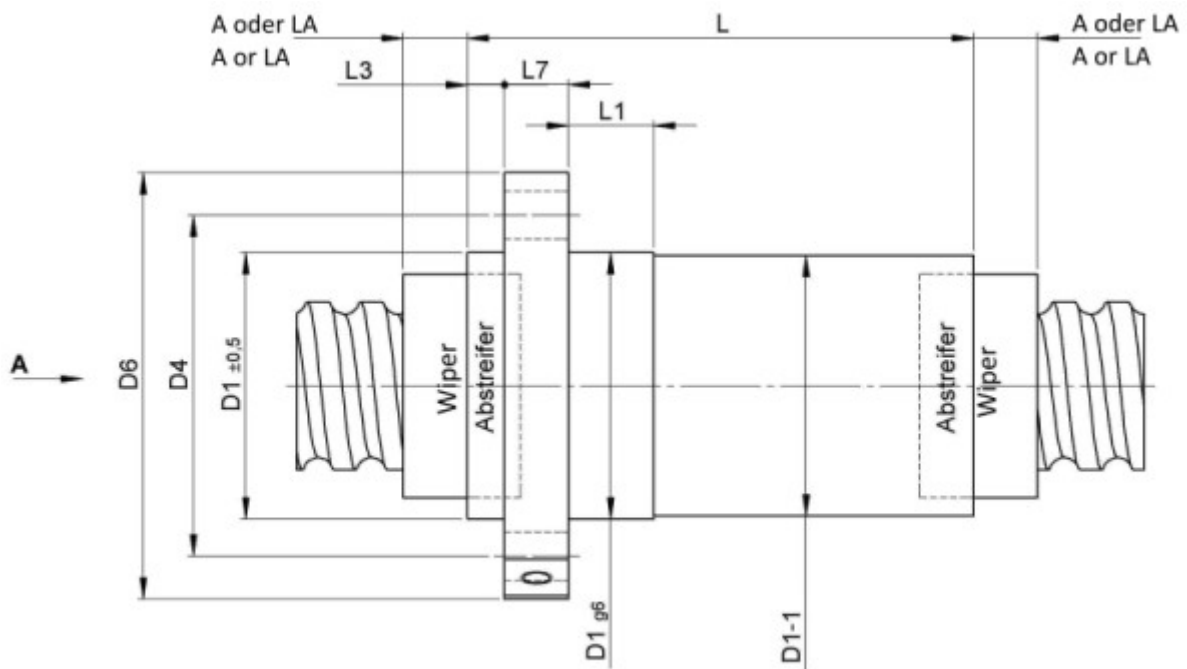


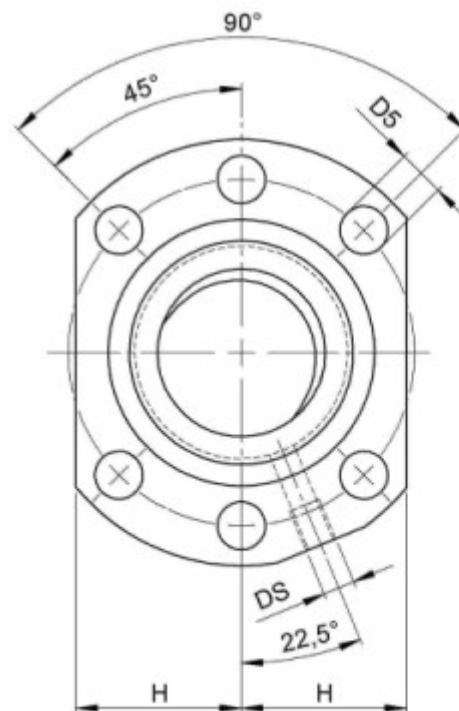
1436/4.25.3.4

DESCRIPTION

TECHNICAL DATA AND DIMENSIONS



Ansicht "A"
View "A"



Form B
Shape B

Series			1436	Friction torque TO	[Ncm]		17,5
Nominal diameter	[mm]	dN	25	Accuracy			T
Lead	[mm]	P	4	Preload/backlash free/with backlash			with backlash
Ball circles		i	1x4	Nut length	[mm]	L	53
Ball diameter	[mm]	dW	3	Dynamic load capacity	[kN]	Ca	14,60
DN-value			90000	Static load capacity	[kN]	C0a	25,70
No. of starts			1	Pilot diameter	[mm]	D1	40
Friction torque FROM	[Ncm]		5,8				

August Steinmeyer GmbH & Co. KG | Riedstraße 7 | 72458 Albstadt | Phone +49 (0) 7431 1288-0 | Fax +49 (0) 7431 1288-89 | info@steinmeyer.com

Drive Technology, Ball Screws, Precision Ball Screws, Miniature Ball Screws, Ultra Thrust Ball Screws, Rotating Nuts, Cooled Ball Screws, Precision Lead Screws, Differential Rolled Screws, Rolled Ball Screws