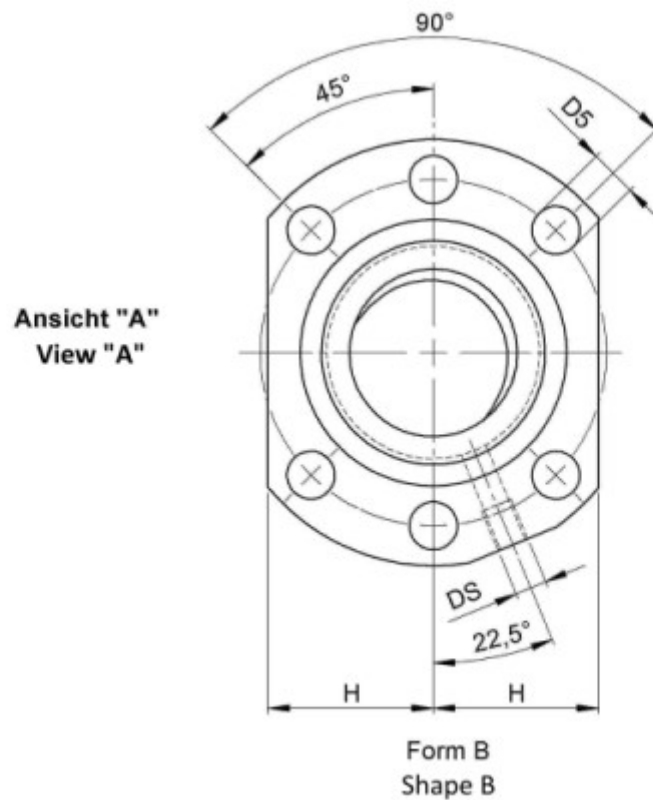
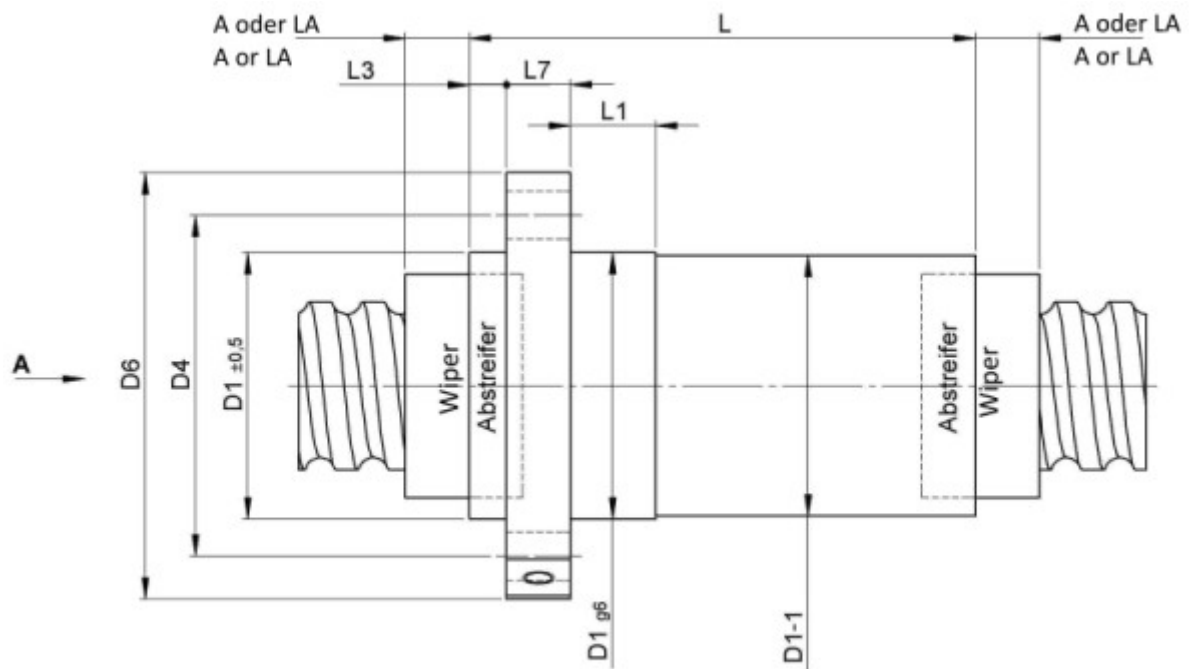


2446/10.20.3,5.6

DESCRIPTION

TECHNICAL DATA AND DIMENSIONS



Series			2446	Friction torque TO	[Ncm]		21,9
Nominal diameter	[mm]	dN	20	Accuracy			T
Lead	[mm]	P	10	Preload/backlash free/with backlash			with backlash
Ball circles		i	3+3	Nut length	[mm]	L	49
Ball diameter	[mm]	dW	3,5	Dynamic load capacity	[kN]	Ca	22,80
DN-value			82000	Static load capacity	[kN]	C0a	36,50
No. of starts			2	Pilot diameter	[mm]	D1	36
Friction torque FROM	[Ncm]		7,3				

August Steinmeyer GmbH & Co. KG | Riedstraße 7 | 72458 Albstadt | Phone +49 (0) 7431 1288-0 | Fax +49 (0) 7431 1288-89 | info@steinmeyer.com

Drive Technology, Ball Screws, Precision Ball Screws, Miniature Ball Screws, Ultra Thrust Ball Screws, Rotating Nuts, Cooled Ball Screws, Precision Lead Screws, Differential Rolled Screws, Rolled Ball Screws