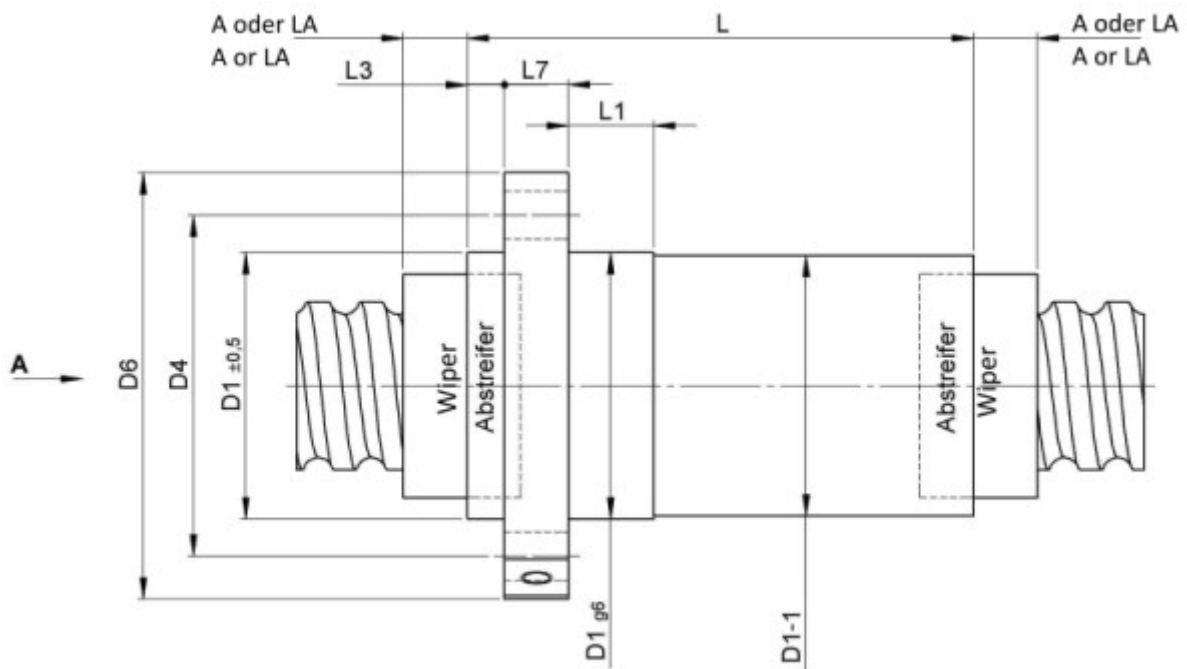


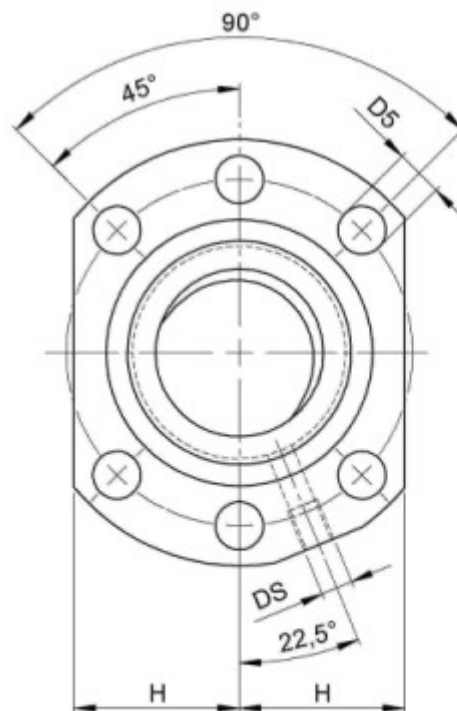
1514/5.25.3,5.2

DESCRIPTION

TECHNICAL DATA AND DIMENSIONS



Ansicht "A"
View "A"



Form B
Shape B

Series			1514	Friction torque FROM	[Ncm]		1,9
Nominal diameter	[mm]	dN	25	Friction torque TO	[Ncm]		17,3
Lead	[mm]	P	5	Accuracy			P
Ball circles		i	2+2	Nut length	[mm]	L	46
Ball diameter	[mm]	dW	3,5	Dynamic load capacity	[kN]	Ca	9,60
DN-value			95000	Static load capacity	[kN]	C0a	14,30
No. of starts			1				

August Steinmeyer GmbH & Co. KG | Riedstraße 7 | 72458 Albstadt | Phone +49 (0) 7431 1288-0 | Fax +49 (0) 7431 1288-89 | info@steinmeyer.com

Drive Technology, Ball Screws, Precision Ball Screws, Miniature Ball Screws, Ultra Thrust Ball Screws, Rotating Nuts, Cooled Ball Screws, Precision Lead Screws, Differential Rolled Screws, Rolled Ball Screws