

# 2422/16.16.289.371

---

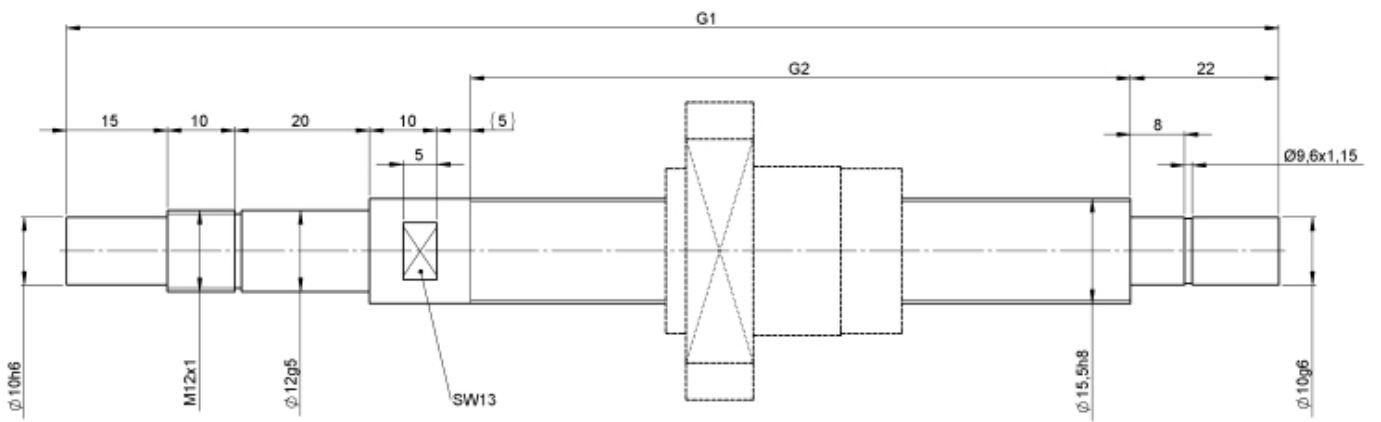
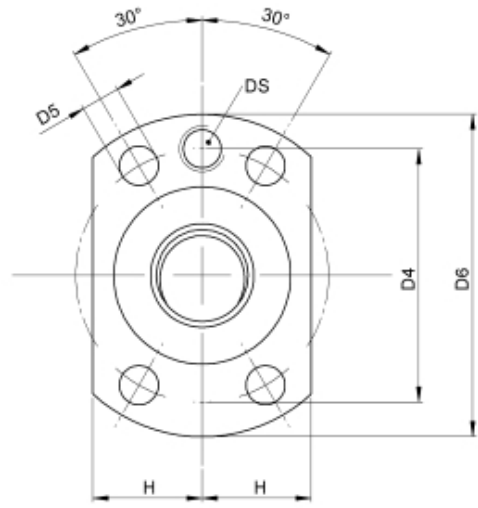
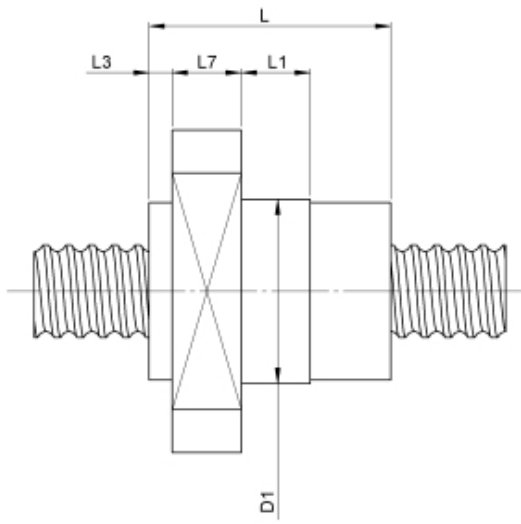
## DESCRIPTION

- Nut Series 2422 with [end cap ball return](#), Flange single nut with 4-point-contact, with standard synthetic wipers on both ends
- Nut shape design for assembly by flange
- Multiple start ball thread, ground execution according to accuracy class P1 - P5
- Miniature ball screws also available with axial play



---

## TECHNICAL DATA AND DIMENSIONS



Series	2422			No. of starts	2		
Nominal diameter	[mm]	dN	16	Friction torque FROM	[Ncm]	4,0	
Lead	[mm]	P	16	Friction torque TO	[Ncm]	4,0	
Shaft style	B			Accuracy	P		
Nominal stroke	[mm]	200		Preload/backlash free/with backlash	backlash free		
Overall length	[mm]	G1	371	Nut length	[mm]	L	41
Thread length	[mm]	G2	289	Dynamic load capacity	[kN]	Ca	13,40
Ball circles	i		2+2	Static load capacity	[kN]	C0a	18,30
Ball diameter	[mm]	dW	3,5	Pilot diameter	[mm]	D1	32
DN-value	160000						

August Steinmeyer GmbH & Co. KG | Riedstraße 7 | 72458 Albstadt | Phone +49 (0) 7431 1288-0 | Fax +49 (0) 7431 1288-89 | [info@steinmeyer.com](mailto:info@steinmeyer.com)

Drive Technology, Ball Screws, Precision Ball Screws, Miniature Ball Screws, Ultra Thrust Ball Screws, Rotating Nuts, Cooled Ball Screws, Precision Lead Screws, Differential Rolled Screws, Rolled Ball Screws