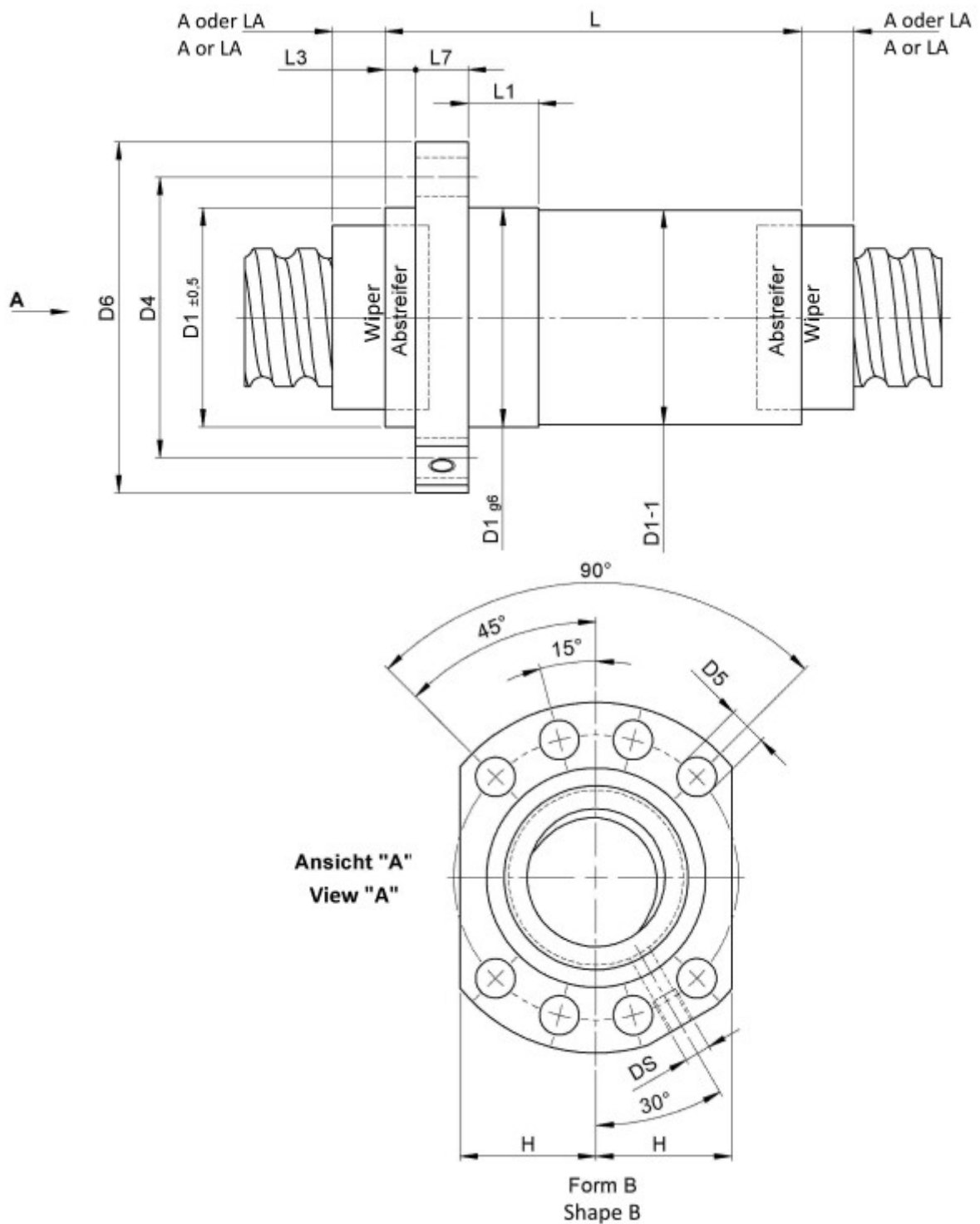


3446/20.40.6.4

DESCRIPTION

TECHNICAL DATA AND DIMENSIONS



Series			3446	Friction torque TO	[Ncm]		78,8
Nominal diameter	[mm]	dN	40	Accuracy			T
Lead	[mm]	P	20	Preload/backlash free/with backlash			with backlash
Ball circles		i	2+2	Nut length	[mm]	L	69
Ball diameter	[mm]	dW	6	Dynamic load capacity	[kN]	Ca	44,00
DN-value			140000	Static load capacity	[kN]	C0a	80,40
No. of starts			2	Pilot diameter	[mm]	D1	63
Friction torque FROM	[Ncm]		33,8				

August Steinmeyer GmbH & Co. KG | Riedstraße 7 | 72458 Albstadt | Phone +49 (0) 7431 1288-0 | Fax +49 (0) 7431 1288-89 | info@steinmeyer.com

Drive Technology, Ball Screws, Precision Ball Screws, Miniature Ball Screws, Ultra Thrust Ball Screws, Rotating Nuts, Cooled Ball Screws, Precision Lead Screws, Differential Rolled Screws, Rolled Ball Screws