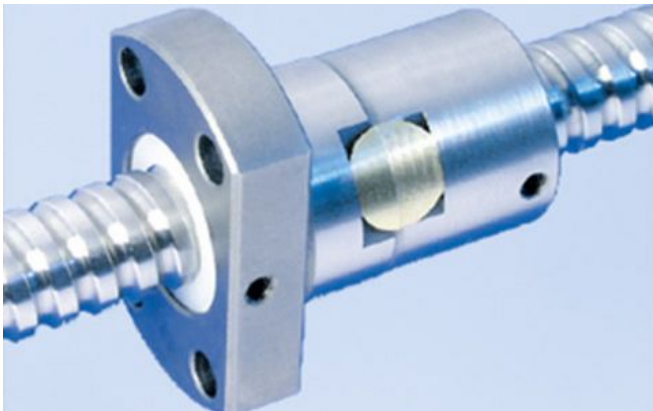


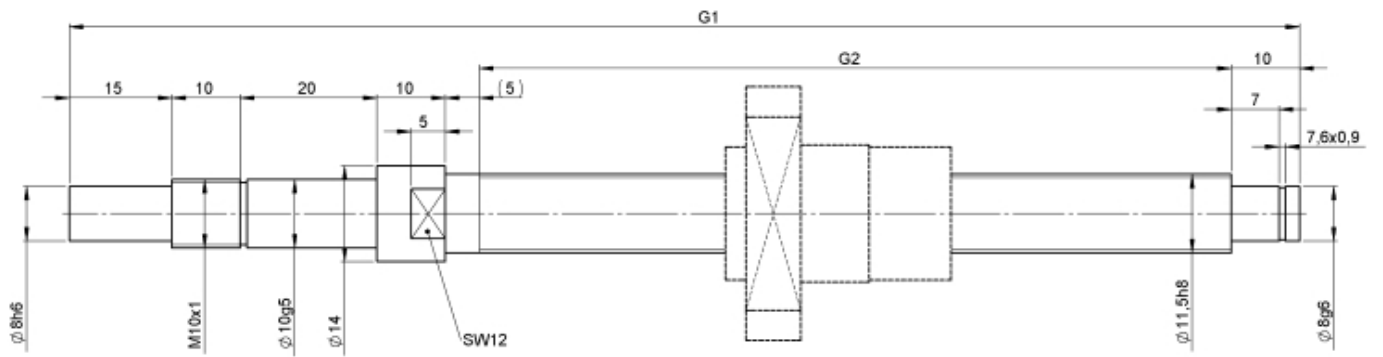
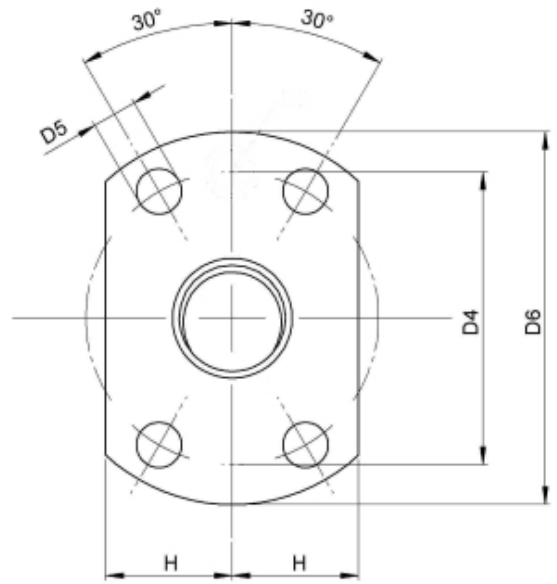
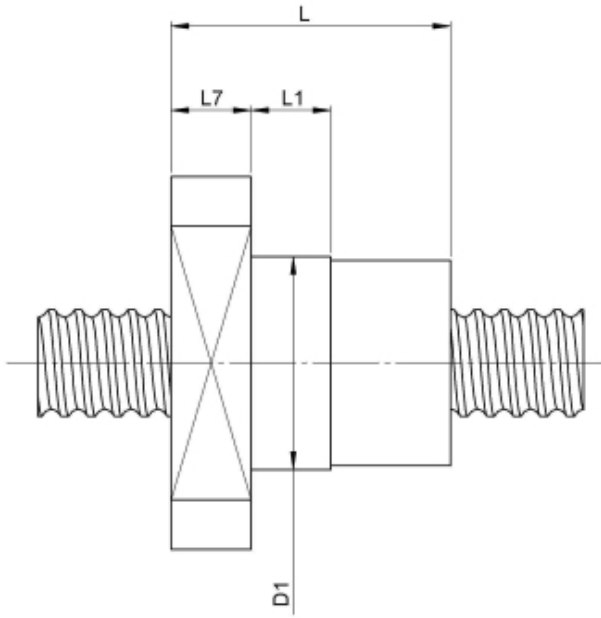
1412/1.12.410.480

DESCRIPTION

- Nut Series 1412 with **internal ball return**, Flange single nut with 4-point-contact with standard synthetic wipers on both ends
- Nut shape design for assembly by flange
- Single start ball thread, ground execution according to accuracy class P1 - P5
- Miniature ball screws also available with axial play



TECHNICAL DATA AND DIMENSIONS



Series			1412	Pilot Length	[mm]	L1	10
Nominal diameter	[mm]	dN	12	Accuracy			P
Lead	[mm]	P	1	Preload/backlash free/with backlash			backlash free
Shaft style			B	Nut length	[mm]	L	25
Nominal stroke	[mm]		350	Flange thickness	[mm]	L7	8
Overall length	[mm]	G1	480	Dynamic load capacity	[kN]	Ca	1,10
Thread length	[mm]	G2	410	Static load capacity	[kN]	C0a	2,00
Ball circles		i	1x3	Pilot diameter	[mm]	D1	20
Ball diameter	[mm]	dW	0,8	Pilot diameter tolerance	[mm]		g6
DN-value			120000	Bolt circle diameter	[mm]	D4	29
No. of starts			1	Flange hole diameter		D5	4,5
Friction torque FROM	[Ncm]		3,0	Flange diameter	[mm]	D6	37
Friction torque TO	[Ncm]		3,0	Flange flat dimension	[mm]	H	12

August Steinmeyer GmbH & Co. KG | Riedstraße 7 | 72458 Albstadt | Phone +49 (0) 7431 1288-0 | Fax +49 (0) 7431 1288-89 | info@steinmeyer.com

Drive Technology, Ball Screws, Precision Ball Screws, Miniature Ball Screws, Ultra Thrust Ball Screws, Rotating Nuts, Cooled Ball Screws, Precision Lead Screws, Differential Rolled Screws, Rolled Ball Screws