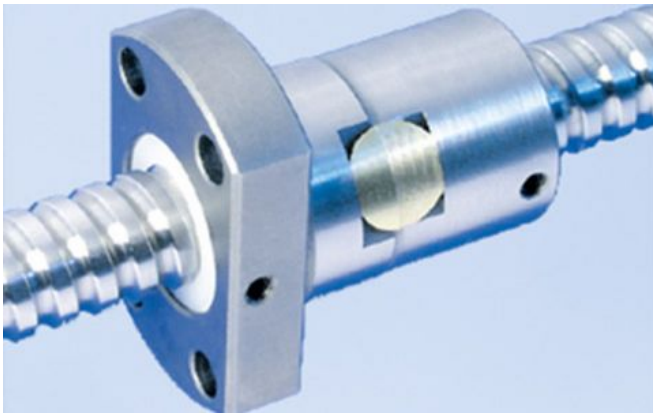


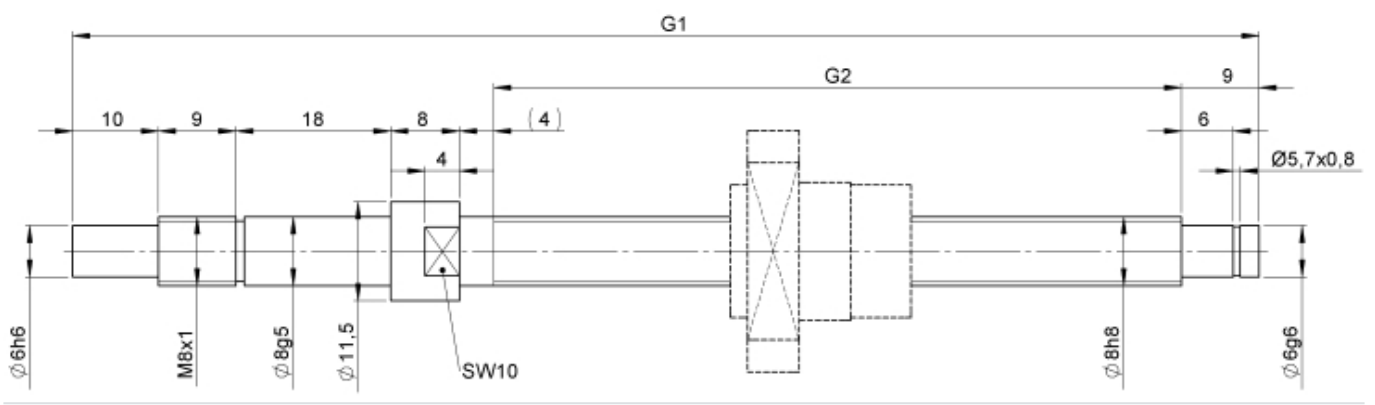
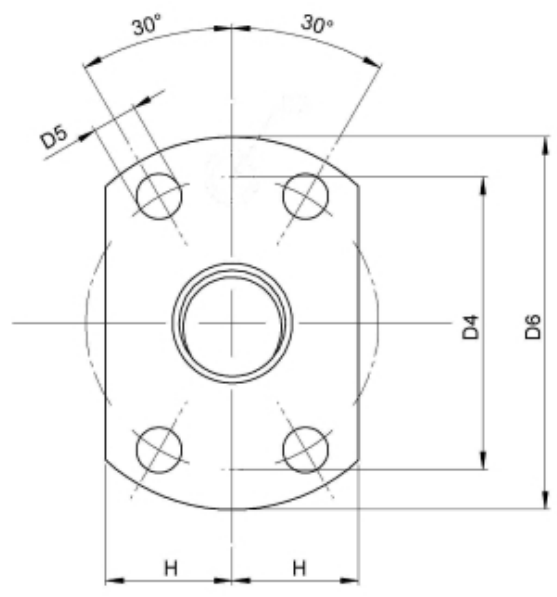
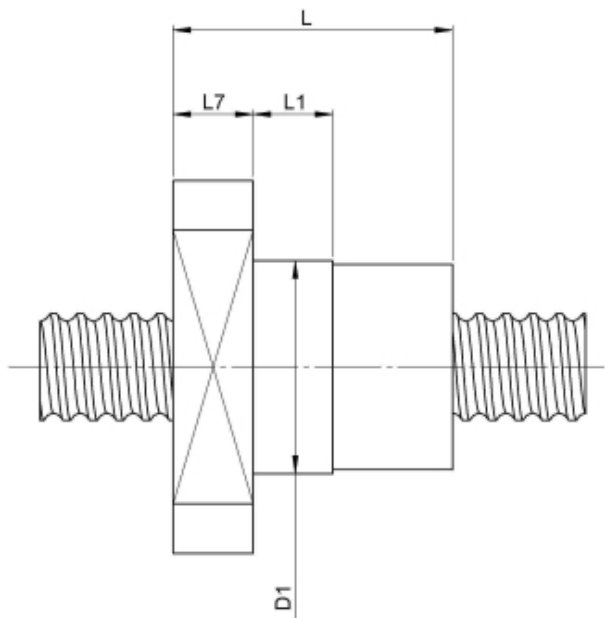
1412/2,5.8.190.248

DESCRIPTION

- Nut Series 1412 with **internal ball return**, Flange single nut with 4-point-contact with standard synthetic wipers on both ends
- Nut shape design for assembly by flange
- Single start ball thread, ground execution according to accuracy class P1 - P5
- Miniature ball screws also available with axial play



TECHNICAL DATA AND DIMENSIONS



| | | | | | | | |
|----------------------|-------|----|--------|-------------------------------------|------|-----|---------------|
| Series | | | 1412 | Accuracy | | | P |
| Nominal diameter | [mm] | dN | 8 | Preload/backlash free/with backlash | | | backlash free |
| Lead | [mm] | P | 2,5 | Nut length | [mm] | L | 30 |
| Shaft style | | | B | Flange thickness | [mm] | L7 | 6 |
| Nominal stroke | [mm] | | 150 | Dynamic load capacity | [kN] | Ca | 2,00 |
| Overall length | [mm] | G1 | 248 | Static load capacity | [kN] | C0a | 2,10 |
| Thread length | [mm] | G2 | 190 | Pilot diameter | [mm] | D1 | 16 |
| Ball circles | | i | 1x3 | Pilot diameter tolerance | [mm] | | g6 |
| Ball diameter | [mm] | dW | 1,5 | Bolt circle diameter | [mm] | D4 | 22 |
| DN-value | | | 120000 | Flange hole diameter | | D5 | 3,4 |
| No. of starts | | | 1 | Flange diameter | [mm] | D6 | 28 |
| Friction torque FROM | [Ncm] | | 2,0 | Flange flat dimension | [mm] | H | 9,5 |
| Friction torque TO | [Ncm] | | 2,0 | | | | |

August Steinmeyer GmbH & Co. KG | Riedstraße 7 | 72458 Albstadt | Phone +49 (0) 7431 1288-0 | Fax +49 (0) 7431 1288-89 | info@steinmeyer.com

Drive Technology, Ball Screws, Precision Ball Screws, Miniature Ball Screws, Ultra Thrust Ball Screws, Rotating Nuts, Cooled Ball Screws, Precision Lead Screws, Differential Rolled Screws, Rolled Ball Screws