

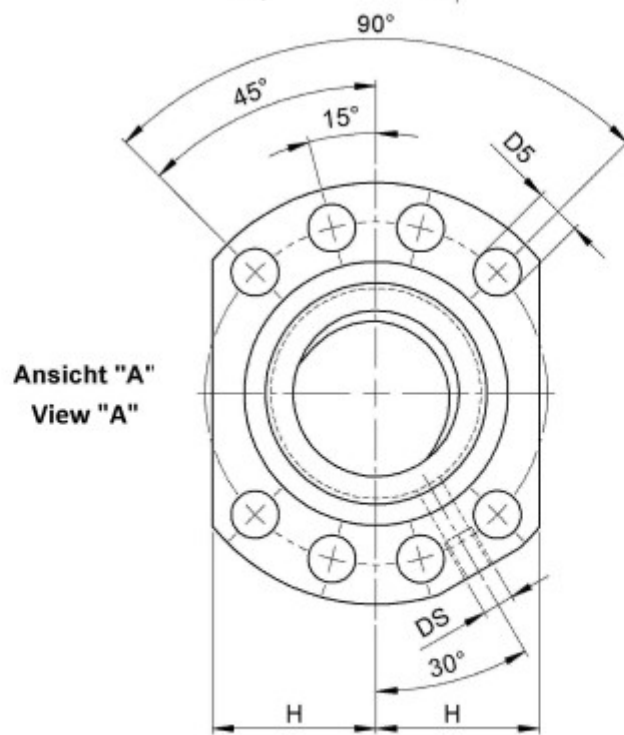
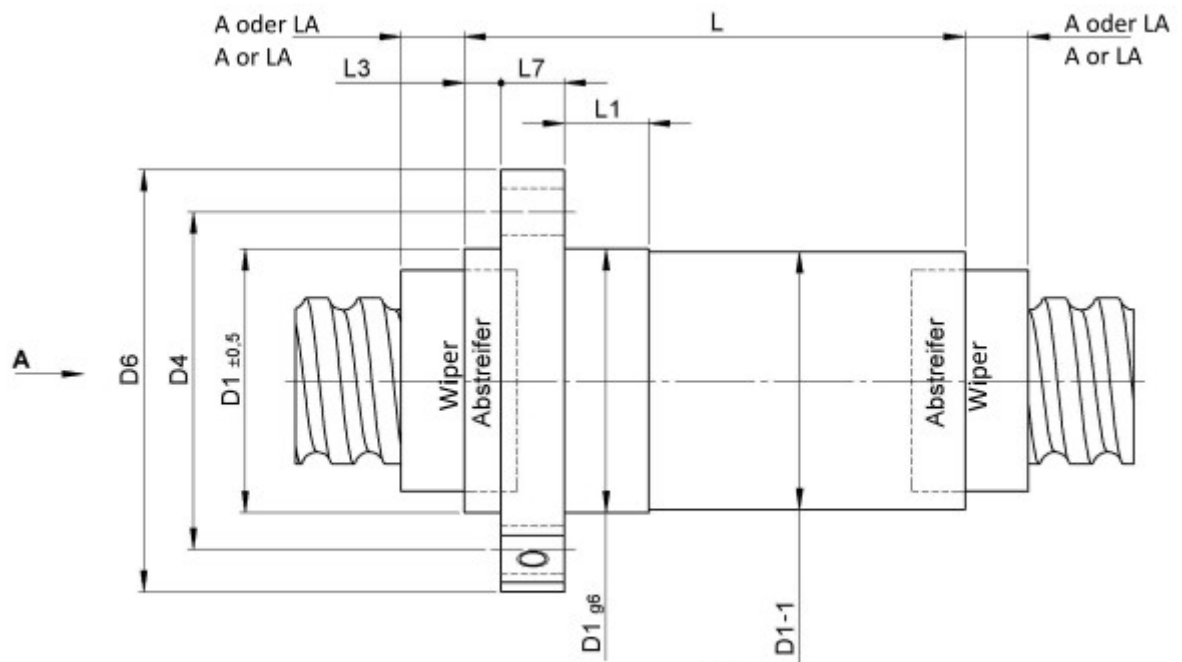
1416/5.40.3,5.3

DESCRIPTION

- Nut Series 1416 with **internal ball return**, Flange single nut with 4-point-contact with standard synthetic wipers on both ends
- Nut shape according to DIN for assembly by flange
- Single start ball thread, ground execution according to accuracy class P1 - P5



TECHNICAL DATA AND DIMENSIONS



Series			1416	Nut length	[mm]	L	59
Nominal diameter	[mm]	dN	40	Wiper extension	[mm]	L3	6
Lead	[mm]	P	5	Flange thickness	[mm]	L7	14
Ball circles		i	1x3	Dynamic load capacity	[kN]	Ca	17,70
Ball diameter	[mm]	dW	3,5	Static load capacity	[kN]	C0a	38,20
DN-value			120000	Pilot diameter	[mm]	D1	63
No. of starts			1	Pilot diameter tolerance	[mm]		g6
Friction torque FROM	[Ncm]		11,3	Bolt circle diameter	[mm]	D4	78
Friction torque TO	[Ncm]		34,0	Flange hole diameter		D5	9
Pilot Length	[mm]	L1	10	Flange diameter	[mm]	D6	93
Accuracy			P	Flange flat dimension	[mm]	H	35

August Steinmeyer GmbH & Co. KG | Riedstraße 7 | 72458 Albstadt | Phone +49 (0) 7431 1288-0 | Fax +49 (0) 7431 1288-89 | info@steinmeyer.com

Drive Technology, Ball Screws, Precision Ball Screws, Miniature Ball Screws, Ultra Thrust Ball Screws, Rotating Nuts, Cooled Ball Screws, Precision Lead Screws, Differential Rolled Screws, Rolled Ball Screws