

# 3526/20.32.6.4E

---

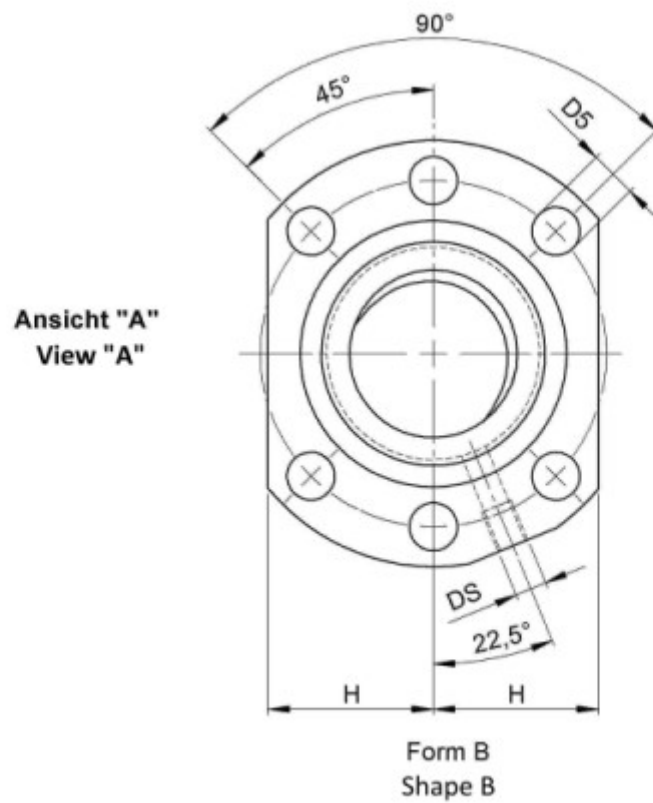
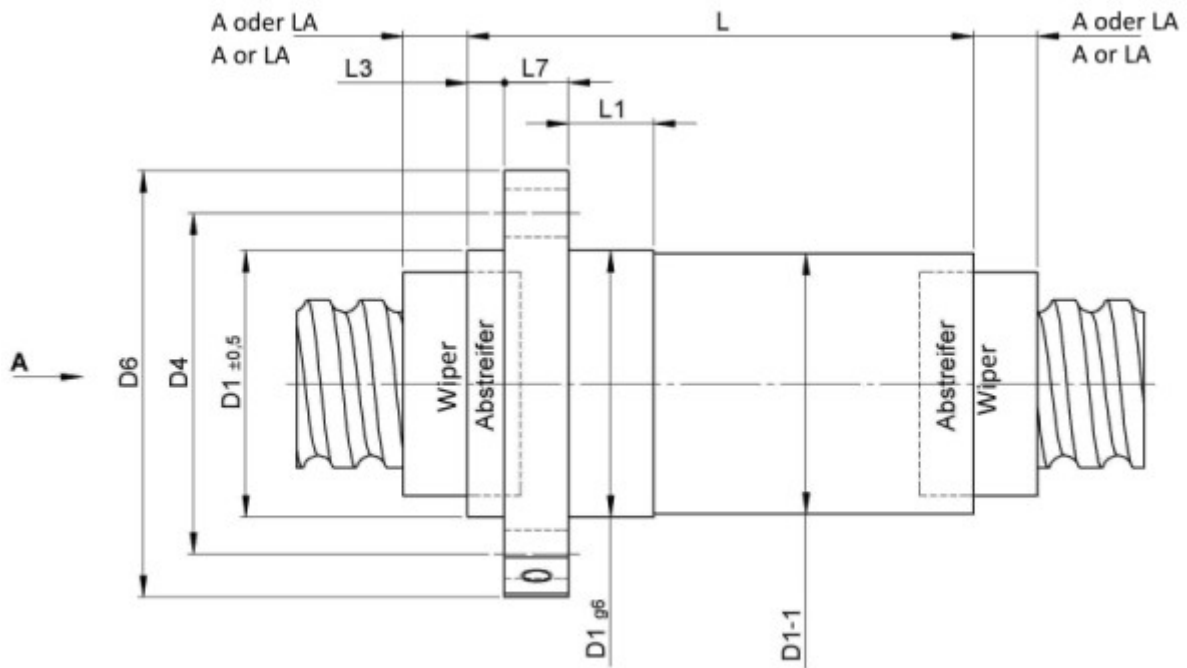
## DESCRIPTION

- ETA+ Nut Series with external ball return
- Flange nut with wipers on both ends
- Product photo shows combination wipers
- Nut shape according to DIN for assembly by flange
- Multiple start ball thread, ground execution according to accuracy class P1 - P5



---

## TECHNICAL DATA AND DIMENSIONS



Series			3526	Flange thickness	[mm]	L7	14
Nominal diameter	[mm]	dN	32	Dynamic load capacity	[kN]	Ca	51,40
Lead	[mm]	P	20	Static load capacity	[kN]	C0a	69,40
Ball circles		i	4+4	Ball diameter	[mm]	dW	6
Additional wiper extensions for combination wipers	[mm]	LA	12	DN-value			160000
Pilot Length	[mm]	L1	20	No. of starts			2
Pilot diameter	[mm]	D1	56	Stiffness	[N/μm]	Rnu,ar	670
Pilot diameter tolerance	[mm]		g6	Friction torque FROM	[Ncm]		16,4
Bolt circle diameter	[mm]	D4	71	Friction torque TO	[Ncm]		49,3
Flange hole diameter		D5	9	Max. preload	[kN]		5,14
Lube hole	[mm]	DS	M6x1	Accuracy			P
Flange diameter	[mm]	D6	86	Nut length	[mm]	L	108
Flange flat dimension	[mm]	H	32,5	Wiper extension	[mm]	L3	7

August Steinmeyer GmbH & Co. KG | Riedstraße 7 | 72458 Albstadt | Phone +49 (0) 7431 1288-0 | Fax +49 (0) 7431 1288-89 | [info@steinmeyer.com](mailto:info@steinmeyer.com)

Drive Technology, Ball Screws, Precision Ball Screws, Miniature Ball Screws, Ultra Thrust Ball Screws, Rotating Nuts, Cooled Ball Screws, Precision Lead Screws, Differential Rolled Screws, Rolled Ball Screws