

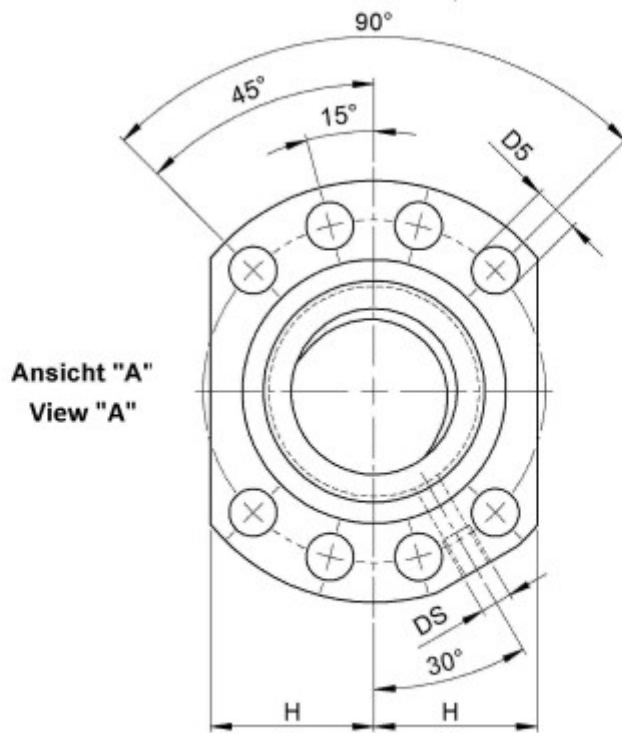
3526/20.40.7,5.4NE

DESCRIPTION

- **ETA+ Nut Series** with external ball return
- Flange nut with wipers on both ends
- Product photo shows combination wipers
- Nut shape according to DIN for assembly by flange
- Multiple start ball thread, ground execution according to accuracy class P1 - P5



TECHNICAL DATA AND DIMENSIONS



Ansicht "A"
View "A"

Form B
Shape B

Series			3526	Flange thickness	[mm]	L7	14
Nominal diameter	[mm]	dN	40	Preferred standard series with shortened delivery times		S*	x
Lead	[mm]	P	20	Dynamic load capacity	[kN]	Ca	74,40
Ball circles		i	4+4	Static load capacity	[kN]	C0a	102,80
Ball diameter	[mm]	dW	7,5	DN-value			160000
Additional wiper extensions for combination wipers	[mm]	LA	12	No. of starts			2
Pilot Length	[mm]	L1	25	Stiffness	[N/μm]	Rnu,ar	870
Pilot diameter	[mm]	D1	70	Friction torque FROM	[Ncm]		35,7
Pilot diameter tolerance	[mm]		g6	Friction torque TO	[Ncm]		83,3
Bolt circle diameter	[mm]	D4	85	Max. preload	[kN]		7,44
Flange hole diameter		D5	9	Accuracy			P
Lube hole	[mm]	DS	M8x1	Nut length	[mm]	L	110
Flange diameter	[mm]	D6	100	Wiper extension	[mm]	L3	7
Flange flat dimension	[mm]	H	37,5				

August Steinmeyer GmbH & Co. KG | Riedstraße 7 | 72458 Albstadt | Phone +49 (0) 7431 1288-0 | Fax +49 (0) 7431 1288-89 | info@steinmeyer.com

Drive Technology, Ball Screws, Precision Ball Screws, Miniature Ball Screws, Ultra Thrust Ball Screws, Rotating Nuts, Cooled Ball Screws, Precision Lead Screws, Differential Rolled Screws, Rolled Ball Screws