

# 1516/5.25.3,5.3

---

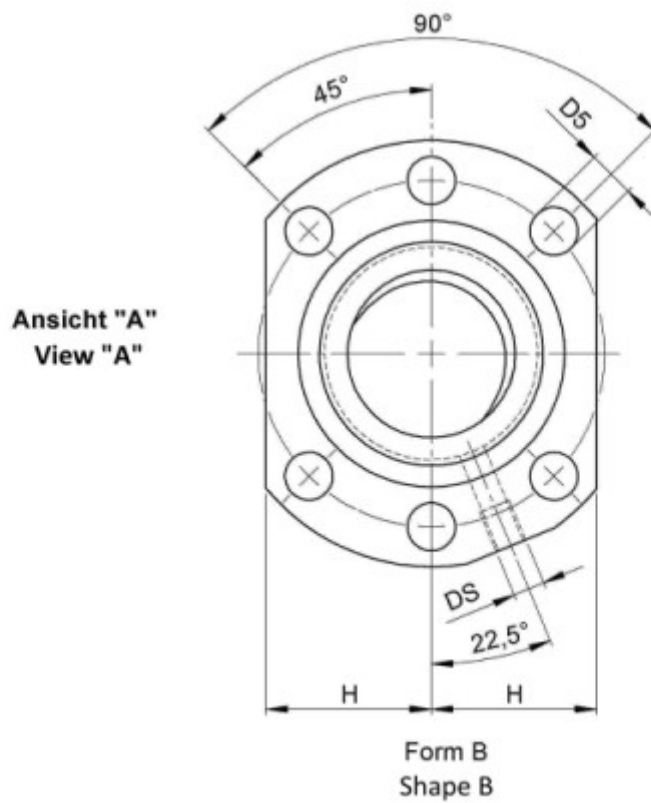
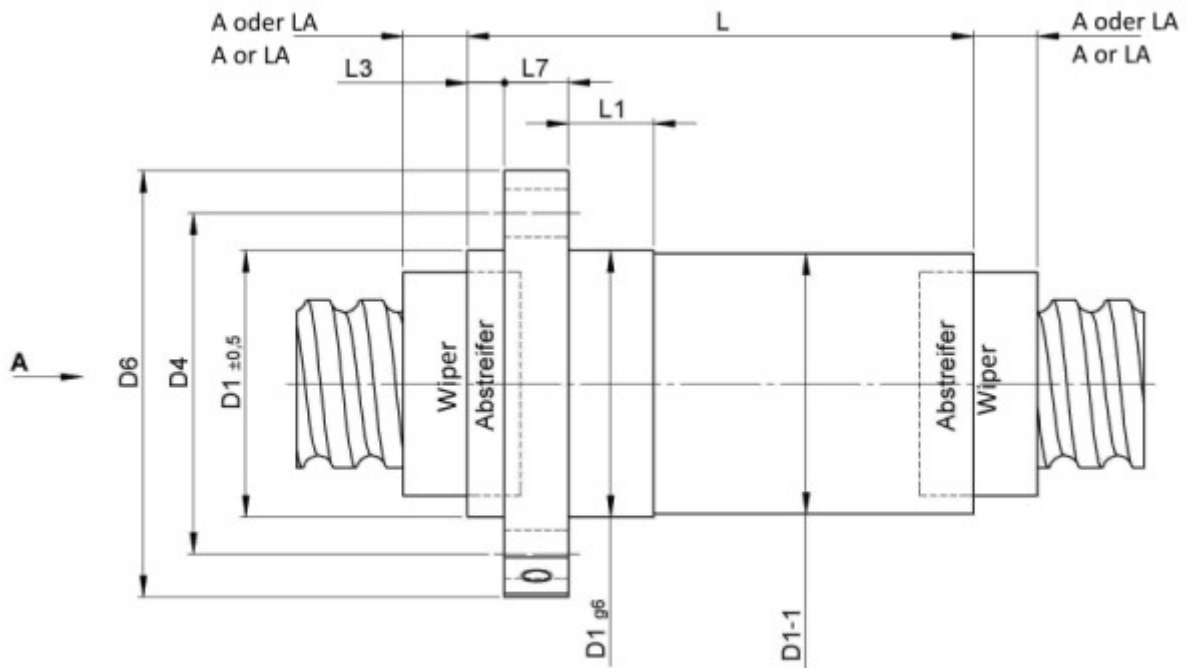
## DESCRIPTION

- Nut Series 1516 with **internal ball return**, Flange double nut with 2-point-contact, with standard synthetic wipers on both ends
- Nut shape according to DIN for assembly by flange
- Single start ball thread, ground execution according to accuracy class P1 - P5



---

## TECHNICAL DATA AND DIMENSIONS



Series			1516	Flange thickness	[mm]	L7	10
Nominal diameter	[mm]	dN	25	Dynamic load capacity	[kN]	Ca	13,70
Lead	[mm]	P	5	Static load capacity	[kN]	C0a	21,50
Ball circles		i	2x3	Ball diameter	[mm]	dW	3,5
Additional wiper extensions for combination wipers	[mm]	LA	9	DN-value			120000
Pilot Length	[mm]	L1	10	No. of starts			1
Pilot diameter	[mm]	D1	40	Stiffness	[N/μm]	Rnu,ar	420
Pilot diameter tolerance	[mm]		g6	Friction torque FROM	[Ncm]		6,8
Bolt circle diameter	[mm]	D4	51	Friction torque TO	[Ncm]		20,5
Flange hole diameter		D5	6,6	Max. preload	[kN]		1,37
Lube hole	[mm]	DS	M6x1	Accuracy			P
Flange diameter	[mm]	D6	62	Nut length	[mm]	L	85
Flange flat dimension	[mm]	H	24	Wiper extension	[mm]	L3	6

August Steinmeyer GmbH & Co. KG | Riedstraße 7 | 72458 Albstadt | Phone +49 (0) 7431 1288-0 | Fax +49 (0) 7431 1288-89 | [info@steinmeyer.com](mailto:info@steinmeyer.com)

Drive Technology, Ball Screws, Precision Ball Screws, Miniature Ball Screws, Ultra Thrust Ball Screws, Rotating Nuts, Cooled Ball Screws, Precision Lead Screws, Differential Rolled Screws, Rolled Ball Screws