

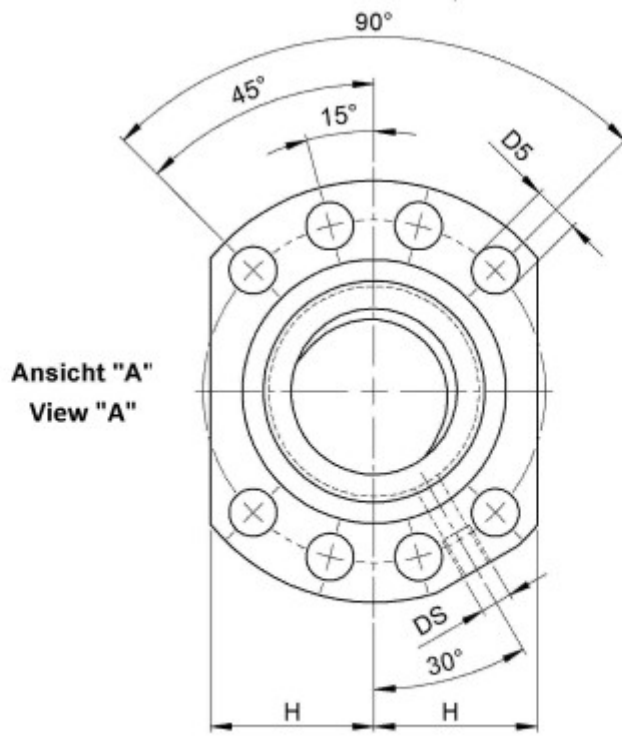
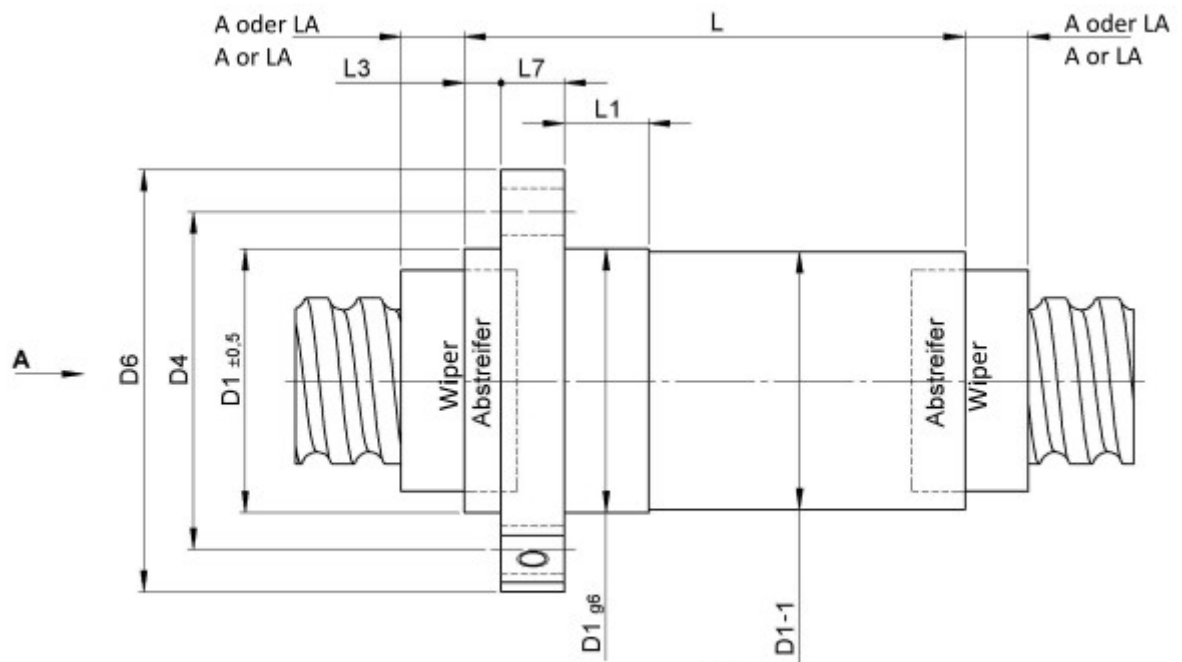
1516/10.50.7,5.5

DESCRIPTION

- Nut Series 1516 with **internal ball return**, Flange double nut with 2-point-contact, with standard synthetic wipers on both ends
- Nut shape according to DIN for assembly by flange
- Single start ball thread, ground execution according to accuracy class P1 - P5



TECHNICAL DATA AND DIMENSIONS



Form B
Shape B

Series			1516	Flange thickness	[mm]	L7	16
Nominal diameter	[mm]	dN	50	Dynamic load capacity	[kN]	Ca	81,70
Lead	[mm]	P	10	Static load capacity	[kN]	C0a	155,40
Ball circles		i	2x5	Ball diameter	[mm]	dW	7,5
Additional wiper extensions for combination wipers	[mm]	LA	12	DN-value			120000
Pilot Length	[mm]	L1	16	No. of starts			1
Pilot diameter	[mm]	D1	75	Stiffness	[N/μm]	Rnu,ar	1310
Pilot diameter tolerance	[mm]		g6	Friction torque FROM	[Ncm]		114,4
Bolt circle diameter	[mm]	D4	93	Friction torque TO	[Ncm]		212,4
Flange hole diameter		D5	11	Max. preload	[kN]		8,17
Lube hole	[mm]	DS	M8x1	Accuracy			P
Flange diameter	[mm]	D6	110	Nut length	[mm]	L	191
Flange flat dimension	[mm]	H	42,5	Wiper extension	[mm]	L3	7

August Steinmeyer GmbH & Co. KG | Riedstraße 7 | 72458 Albstadt | Phone +49 (0) 7431 1288-0 | Fax +49 (0) 7431 1288-89 | info@steinmeyer.com

Drive Technology, Ball Screws, Precision Ball Screws, Miniature Ball Screws, Ultra Thrust Ball Screws, Rotating Nuts, Cooled Ball Screws, Precision Lead Screws, Differential Rolled Screws, Rolled Ball Screws