

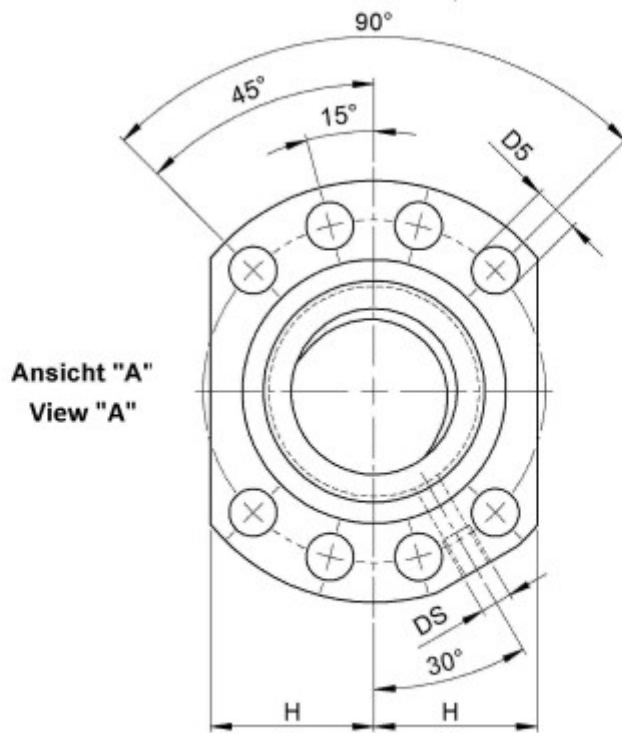
3526/20.63.7,5.4E

DESCRIPTION

- ETA+ Nut Series with external ball return
- Flange nut with wipers on both ends
- Product photo shows combination wipers
- Nut shape according to DIN for assembly by flange
- Multiple start ball thread, ground execution according to accuracy class P1 - P5



TECHNICAL DATA AND DIMENSIONS



Ansicht "A"
View "A"

| | | | | | | | |
|----------------------|--------|--------|--------|---|------|-----|--------|
| Series | | | 3526 | Flange thickness | [mm] | L7 | 20 |
| Nominal diameter | [mm] | dN | 63 | ETA+ | | | x |
| Lead | [mm] | P | 20 | Dynamic load capacity | [kN] | Ca | 97,00 |
| Ball circles | | i | 4+4 | Static load capacity | [kN] | C0a | 172,50 |
| Ball diameter | [mm] | dW | 7,5 | Additional wiper extensions for combination wipers | [mm] | LA | 12 |
| DN-value | | | 160000 | Pilot Length | [mm] | L1 | 25 |
| No. of starts | | | 2 | Pilot diameter | [mm] | D1 | 95 |
| Stiffness | [N/μm] | Rnu,ar | 1500 | Pilot diameter tolerance | [mm] | | g6 |
| Friction torque FROM | [Ncm] | | 85,6 | Bolt circle diameter | [mm] | D4 | 115 |
| Friction torque TO | [Ncm] | | 158,9 | Flange hole diameter | | D5 | 13,5 |
| Max. preload | [kN] | | 9,7 | Lube hole | [mm] | DS | M8x1 |
| Accuracy | | | P | Flange diameter | [mm] | D6 | 135 |
| Nut length | [mm] | L | 111 | Flange flat dimension | [mm] | H | 50 |
| Wiper extension | [mm] | L3 | 7 | | | | |

August Steinmeyer GmbH & Co. KG | Riedstraße 7 | 72458 Albstadt | Phone +49 (0) 7431 1288-0 | Fax +49 (0) 7431 1288-89 | info@steinmeyer.com

Drive Technology, Ball Screws, Precision Ball Screws, Miniature Ball Screws, Ultra Thrust Ball Screws, Rotating Nuts, Cooled Ball Screws, Precision Lead Screws, Differential Rolled Screws, Rolled Ball Screws