

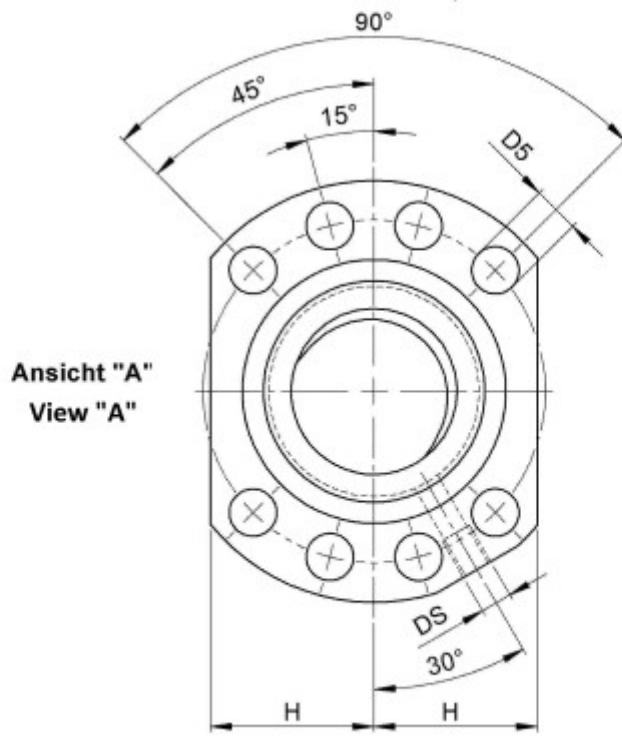
3526/25.40.7,5.4NE

DESCRIPTION

- ETA+ Nut Series with external ball return
- Flange nut with wipers on both ends
- Product photo shows combination wipers
- Nut shape according to DIN for assembly by flange
- Multiple start ball thread, ground execution according to accuracy class P1 - P5



TECHNICAL DATA AND DIMENSIONS



Ansicht "A"
View "A"

Form B
Shape B

Series			3526	Flange thickness	[mm]	L7	14
Nominal diameter	[mm]	dN	40	Preferred standard series with shortened delivery times		S*	x
Lead	[mm]	P	25	ETA+			x
Ball circles		i	4+4	Dynamic load capacity	[kN]	Ca	76,80
Ball diameter	[mm]	dW	7,5	Static load capacity	[kN]	C0a	108,50
DN-value			160000	Additional wiper extensions for combination wipers	[mm]	LA	22
No. of starts			2	Pilot Length	[mm]	L1	25
Stiffness	[N/μm]	Rnu,ar	820	Pilot diameter	[mm]	D1	70
Friction torque FROM	[Ncm]		39,9	Pilot diameter tolerance	[mm]		g6
Friction torque TO	[Ncm]		82,9	Bolt circle diameter	[mm]	D4	85
Max. preload	[kN]		7,68	Flange hole diameter		D5	9
Accuracy			P	Lube hole	[mm]	DS	M8x1
Nut length	[mm]	L	129	Flange diameter	[mm]	D6	100
Wiper extension	[mm]	L3	7	Flange flat dimension	[mm]	H	37,5

August Steinmeyer GmbH & Co. KG | Riedstraße 7 | 72458 Albstadt | Phone +49 (0) 7431 1288-0 | Fax +49 (0) 7431 1288-89 | info@steinmeyer.com

Drive Technology, Ball Screws, Precision Ball Screws, Miniature Ball Screws, Ultra Thrust Ball Screws, Rotating Nuts, Cooled Ball Screws, Precision Lead Screws, Differential Rolled Screws, Rolled Ball Screws