

# 1516/8.32.5.4E

---

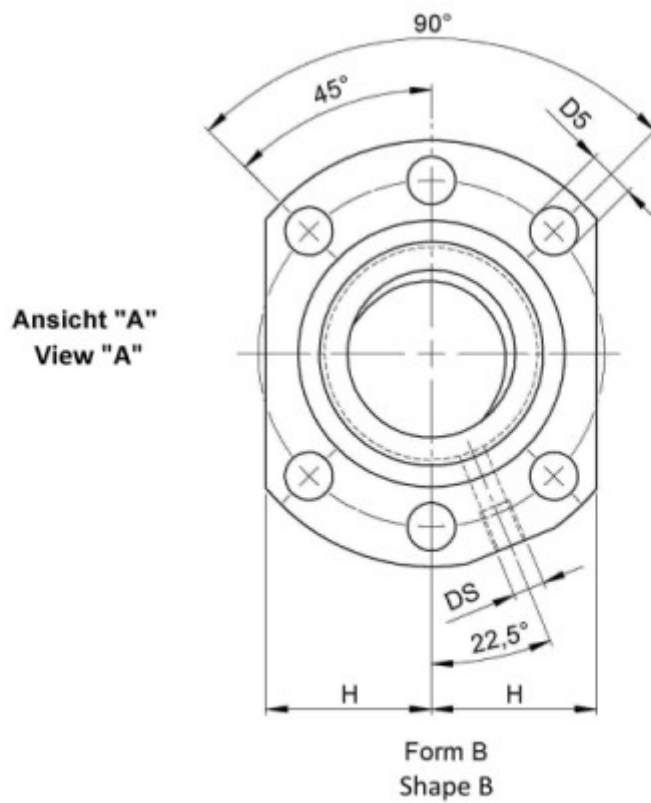
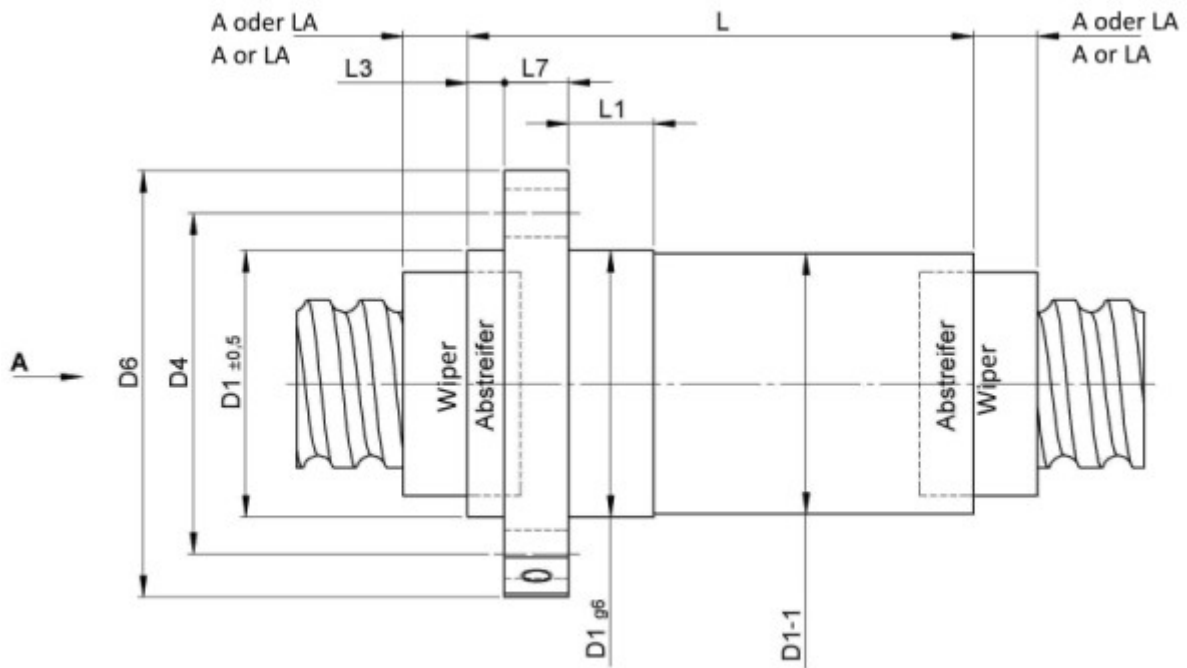
## DESCRIPTION

- ETA+ Nut Series with internal ball return
- Flange nut, with standard wipers on both ends
- Nut shape according to DIN for assembly by flange
- Single start ball thread, ground execution according to accuracy class P1 - P5



---

## TECHNICAL DATA AND DIMENSIONS



Series			1516	Flange thickness	[mm]	L7	12
Nominal diameter	[mm]	dN	32	ETA+			x
Lead	[mm]	P	8	Dynamic load capacity	[kN]	Ca	41,50
Ball circles		i	4+4	Static load capacity	[kN]	C0a	56,60
Ball diameter	[mm]	dW	5	Additional wiper extensions for combination wipers	[mm]	LA	12
DN-value			120000	Pilot Length	[mm]	L1	16
No. of starts			1	Pilot diameter	[mm]	D1	50
Stiffness	[N/μm]	Rnu,ar	740	Pilot diameter tolerance	[mm]		g6
Friction torque FROM	[Ncm]		13,3	Bolt circle diameter	[mm]	D4	65
Friction torque TO	[Ncm]		39,8	Flange hole diameter		D5	9
Max. preload	[kN]		4,15	Lube hole	[mm]	DS	M6x1
Accuracy			P	Flange diameter	[mm]	D6	80
Nut length	[mm]	L	132	Flange flat dimension	[mm]	H	31
Wiper extension	[mm]	L3	7				

August Steinmeyer GmbH & Co. KG | Riedstraße 7 | 72458 Albstadt | Phone +49 (0) 7431 1288-0 | Fax +49 (0) 7431 1288-89 | [info@steinmeyer.com](mailto:info@steinmeyer.com)

Drive Technology, Ball Screws, Precision Ball Screws, Miniature Ball Screws, Ultra Thrust Ball Screws, Rotating Nuts, Cooled Ball Screws, Precision Lead Screws, Differential Rolled Screws, Rolled Ball Screws