

# 3526/20.63.7,5.5E

---

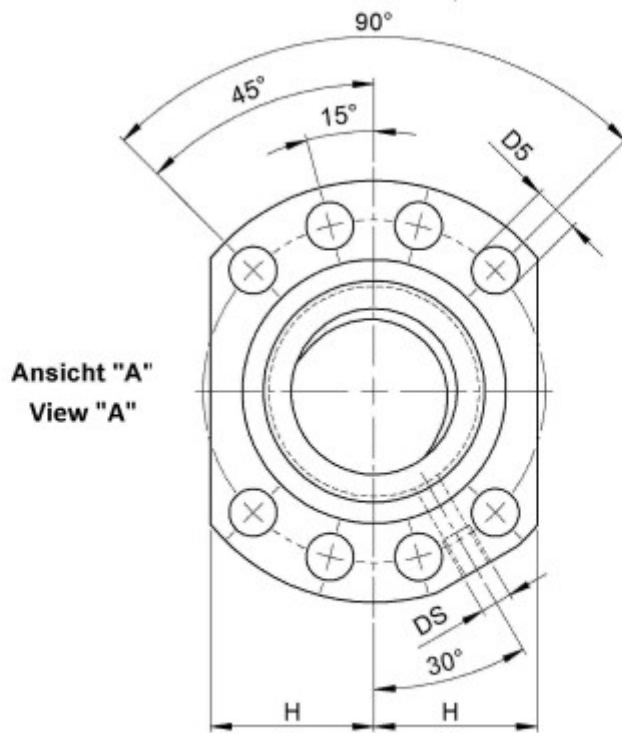
## DESCRIPTION

- ETA+ Nut Series with external ball return
- Flange nut with wipers on both ends
- Product photo shows combination wipers
- Nut shape according to DIN for assembly by flange
- Multiple start ball thread, ground execution according to accuracy class P1 - P5



---

## TECHNICAL DATA AND DIMENSIONS



**Ansicht "A"**  
**View "A"**

Series			3526	Flange thickness	[mm]	L7	20
Nominal diameter	[mm]	dN	63	ETA+			x
Lead	[mm]	P	20	Dynamic load capacity	[kN]	Ca	120,40
Ball circles		i	5+5	Static load capacity	[kN]	C0a	221,70
Ball diameter	[mm]	dW	7,5	Additional wiper extensions for combination wipers	[mm]	LA	12
DN-value			160000	Pilot Length	[mm]	L1	25
No. of starts			2	Pilot diameter	[mm]	D1	95
Stiffness	[N/μm]	Rnu,ar	1870	Pilot diameter tolerance	[mm]		g6
Friction torque FROM	[Ncm]		106,2	Bolt circle diameter	[mm]	D4	115
Friction torque TO	[Ncm]		197,2	Flange hole diameter		D5	13,5
Max. preload	[kN]		12,04	Lube hole	[mm]	DS	M8x1
Accuracy			P	Flange diameter	[mm]	D6	135
Nut length	[mm]	L	131	Flange flat dimension	[mm]	H	50
Wiper extension	[mm]	L3	7				

August Steinmeyer GmbH & Co. KG | Riedstraße 7 | 72458 Albstadt | Phone +49 (0) 7431 1288-0 | Fax +49 (0) 7431 1288-89 | [info@steinmeyer.com](mailto:info@steinmeyer.com)

Drive Technology, Ball Screws, Precision Ball Screws, Miniature Ball Screws, Ultra Thrust Ball Screws, Rotating Nuts, Cooled Ball Screws, Precision Lead Screws, Differential Rolled Screws, Rolled Ball Screws