

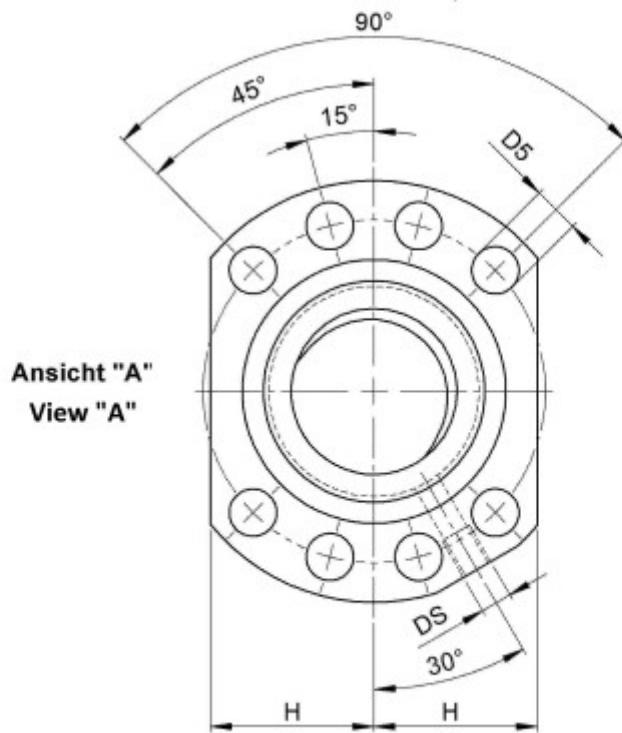
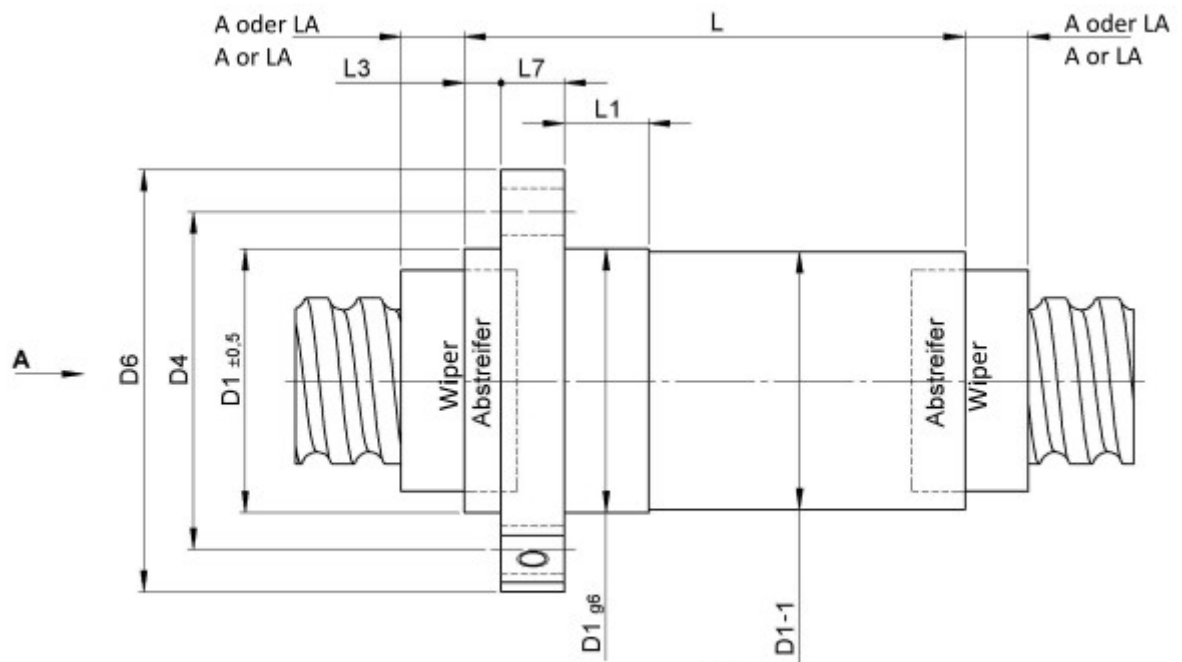
1516/15.80.11.5E

DESCRIPTION

- ETA+ Nut Series with internal ball return
- Flange nut, with standard wipers on both ends
- Nut shape according to DIN for assembly by flange
- Single start ball thread, ground execution according to accuracy class P1 - P5



TECHNICAL DATA AND DIMENSIONS



Ansicht "A"
View "A"

Form B
Shape B

Series			1516	Flange thickness	[mm]	L7	25
Nominal diameter	[mm]	dN	80	ETA+			x
Lead	[mm]	P	15	Dynamic load capacity	[kN]	Ca	268,80
Ball circles		i	2x5	Static load capacity	[kN]	C0a	515,00
Ball diameter	[mm]	dW	11	Additional wiper extensions for combination wipers	[mm]	LA	12
DN-value			120000	Pilot Length	[mm]	L1	25
No. of starts			1	Pilot diameter	[mm]	D1	125
Stiffness	[N/μm]	Rnu,ar	2570	Pilot diameter tolerance	[mm]		g6
Friction torque FROM	[Ncm]		322,6	Bolt circle diameter	[mm]	D4	145
Friction torque TO	[Ncm]		537,6	Flange hole diameter		D5	13,5
Max. preload	[kN]		26,88	Lube hole	[mm]	DS	M8x1
Accuracy			P	Flange diameter	[mm]	D6	165
Nut length	[mm]	L	274	Flange flat dimension	[mm]	H	65
Wiper extension	[mm]	L3	7				

August Steinmeyer GmbH & Co. KG | Riedstraße 7 | 72458 Albstadt | Phone +49 (0) 7431 1288-0 | Fax +49 (0) 7431 1288-89 | info@steinmeyer.com

Drive Technology, Ball Screws, Precision Ball Screws, Miniature Ball Screws, Ultra Thrust Ball Screws, Rotating Nuts, Cooled Ball Screws, Precision Lead Screws, Differential Rolled Screws, Rolled Ball Screws