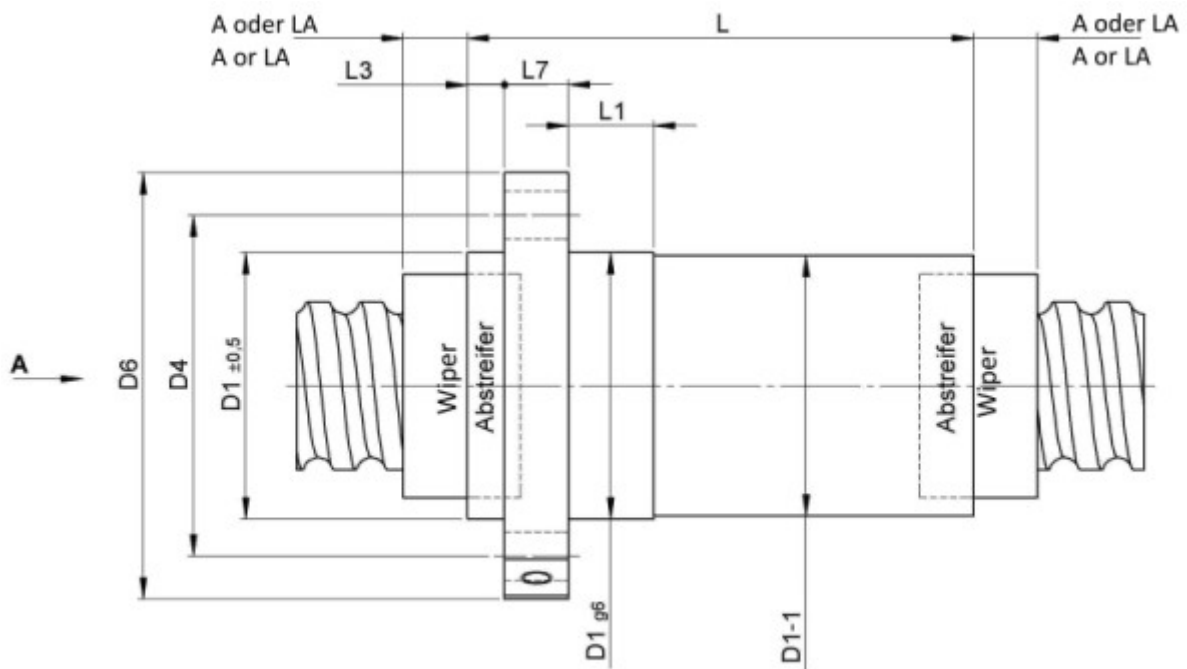


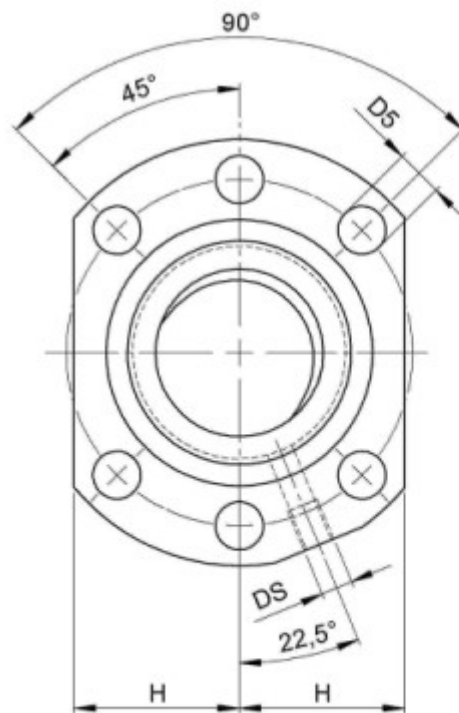
3446/20.25.3,5.4

DESCRIPTION

TECHNICAL DATA AND DIMENSIONS



Ansicht "A"
View "A"



Form B
Shape B

Series			3446	Dynamic load capacity	[kN]	Ca	17,10
Nominal diameter	[mm]	dN	25	Static load capacity	[kN]	C0a	29,50
Lead	[mm]	P	20	Ball circles		i	2+2
Additional wiper extensions for combination wipers	[mm]	LA	12	Ball diameter	[mm]	dW	3,5
Pilot Length	[mm]	L1	16	DN-value			100000
Pilot diameter	[mm]	D1	40	No. of starts			2
Pilot diameter tolerance	[mm]		g6	Friction torque FROM	[Ncm]		6,8
Bolt circle diameter	[mm]	D4	51	Friction torque TO	[Ncm]		20,5
Flange hole diameter		D5	6,6	Accuracy			T
Lube hole	[mm]	DS	M6	Nut length	[mm]	L	75
Flange diameter	[mm]	D6	62	Wiper extension	[mm]	L3	7
Flange flat dimension	[mm]	H	24	Flange thickness	[mm]	L7	10

August Steinmeyer GmbH & Co. KG | Riedstraße 7 | 72458 Albstadt | Phone +49 (0) 7431 1288-0 | Fax +49 (0) 7431 1288-89 | info@steinmeyer.com

Drive Technology, Ball Screws, Precision Ball Screws, Miniature Ball Screws, Ultra Thrust Ball Screws, Rotating Nuts, Cooled Ball Screws, Precision Lead Screws, Differential Rolled Screws, Rolled Ball Screws