

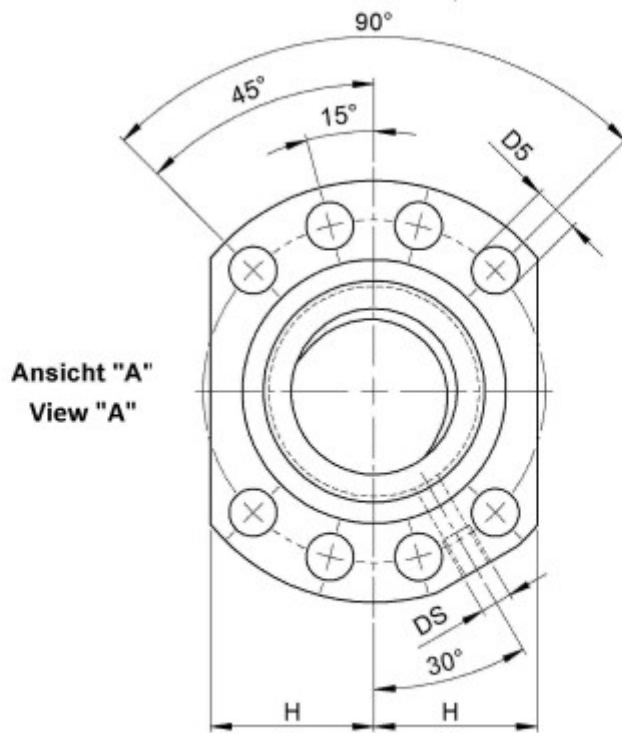
3426/30.60.9.6

DESCRIPTION

- Nut Series 3426 with **external ball return**, Flange single nut with 4-point-contact, with standard synthetic wipers on both ends
- Nut shape according to DIN for assembly by flange
- Multiple start ball thread, ground execution according to accuracy class P1 - P5



TECHNICAL DATA AND DIMENSIONS



Series			3426	Flange thickness	[mm]	L7	20
Nominal diameter	[mm]	dN	60	Dynamic load capacity	[kN]	Ca	163,50
Lead	[mm]	P	30	Static load capacity	[kN]	C0a	360,10
Ball circles		i	3+3	Additional wiper extensions	[mm]	A	5
Ball diameter	[mm]	dW	9	Additional wiper extensions for combination wipers	[mm]	LA	22
DN-value			160000	Pilot Length	[mm]	L1	25
No. of starts			2	Pilot diameter	[mm]	D1	95
Stiffness	[N/μm]	Rnu,ar	1250	Pilot diameter tolerance	[mm]		g6
Friction torque FROM	[Ncm]		235,4	Bolt circle diameter	[mm]	D4	115
Friction torque TO	[Ncm]		392,4	Flange hole diameter		D5	13,5
Max. preload	[kN]		13,08	Lube hole	[mm]	DS	M8x1
Accuracy			P	Flange diameter	[mm]	D6	135
Nut length	[mm]	L	121	Flange flat dimension	[mm]	H	50
Wiper extension	[mm]	L3	7				

August Steinmeyer GmbH & Co. KG | Riedstraße 7 | 72458 Albstadt | Phone +49 (0) 7431 1288-0 | Fax +49 (0) 7431 1288-89 | info@steinmeyer.com

Drive Technology, Ball Screws, Precision Ball Screws, Miniature Ball Screws, Ultra Thrust Ball Screws, Rotating Nuts, Cooled Ball Screws, Precision Lead Screws, Differential Rolled Screws, Rolled Ball Screws