

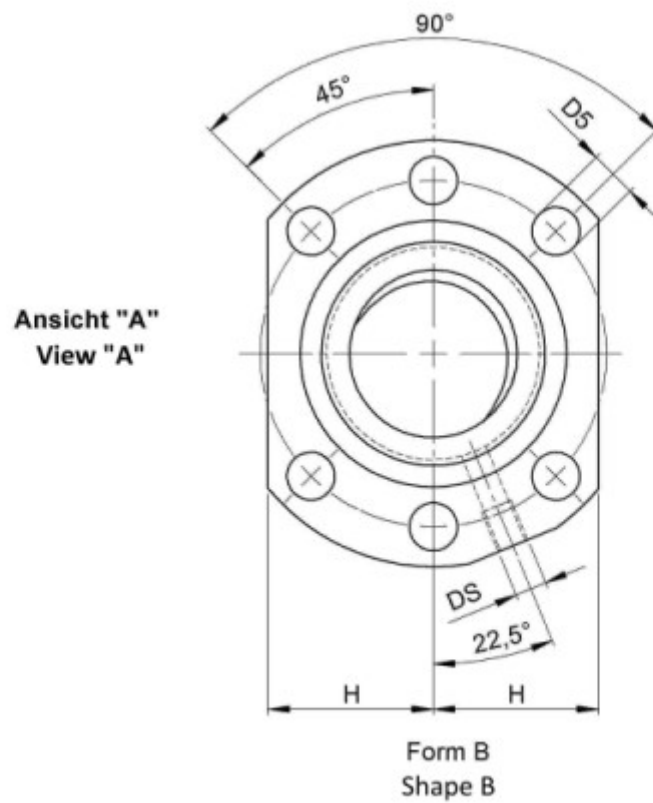
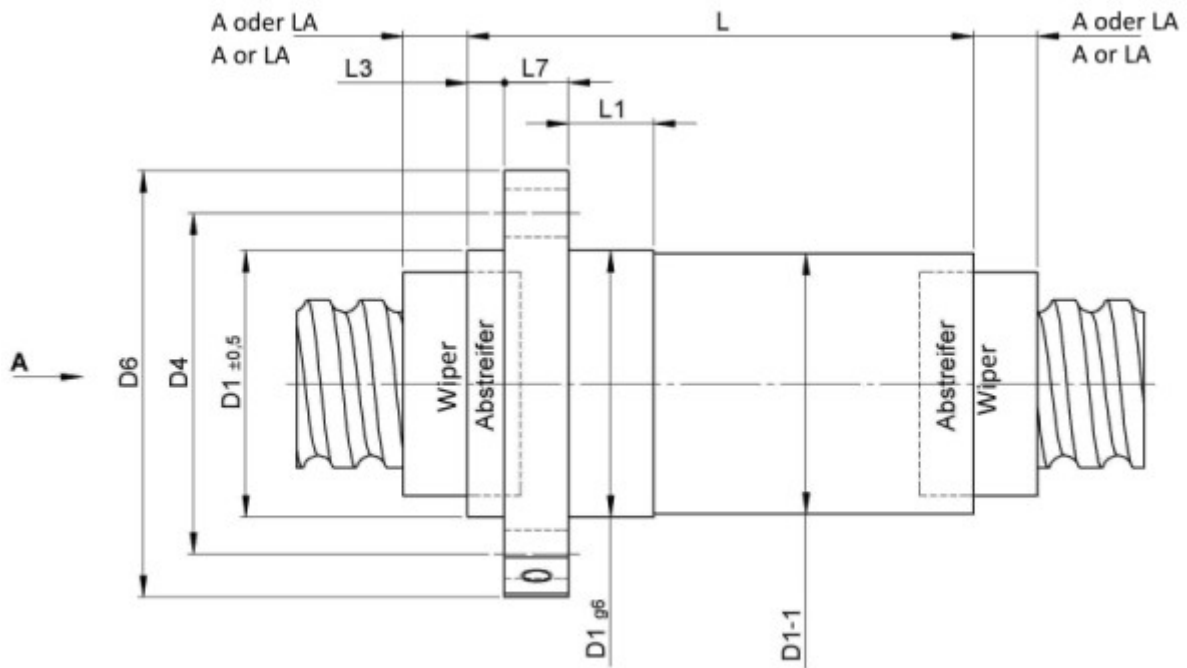
1416/4.20.3.4

DESCRIPTION

- Nut Series 1416 with **internal ball return**, Flange single nut with 4-point-contact with standard synthetic wipers on both ends
- Nut shape according to DIN for assembly by flange
- Single start ball thread, ground execution according to accuracy class P1 - P5



TECHNICAL DATA AND DIMENSIONS



Series			1416	Flange thickness	[mm]	L7	10
Nominal diameter	[mm]	dN	20	Dynamic load capacity	[kN]	Ca	13,00
Lead	[mm]	P	4	Static load capacity	[kN]	C0a	19,90
Ball circles		i	1x4	Ball diameter	[mm]	dW	3
Additional wiper extensions for combination wipers	[mm]	LA	9	DN-value			120000
Pilot Length	[mm]	L1	10	No. of starts			1
Pilot diameter	[mm]	D1	36	Stiffness	[N/μm]	Rnu,ar	290
Pilot diameter tolerance	[mm]		g6	Friction torque FROM	[Ncm]		1,7
Bolt circle diameter	[mm]	D4	47	Friction torque TO	[Ncm]		15,0
Flange hole diameter		D5	6,6	Max. preload	[kN]		1,04
Lube hole	[mm]	DS	M6x1	Accuracy			P
Flange diameter	[mm]	D6	58	Nut length	[mm]	L	53
Flange flat dimension	[mm]	H	22	Wiper extension	[mm]	L3	6

August Steinmeyer GmbH & Co. KG | Riedstraße 7 | 72458 Albstadt | Phone +49 (0) 7431 1288-0 | Fax +49 (0) 7431 1288-89 | info@steinmeyer.com

Drive Technology, Ball Screws, Precision Ball Screws, Miniature Ball Screws, Ultra Thrust Ball Screws, Rotating Nuts, Cooled Ball Screws, Precision Lead Screws, Differential Rolled Screws, Rolled Ball Screws