

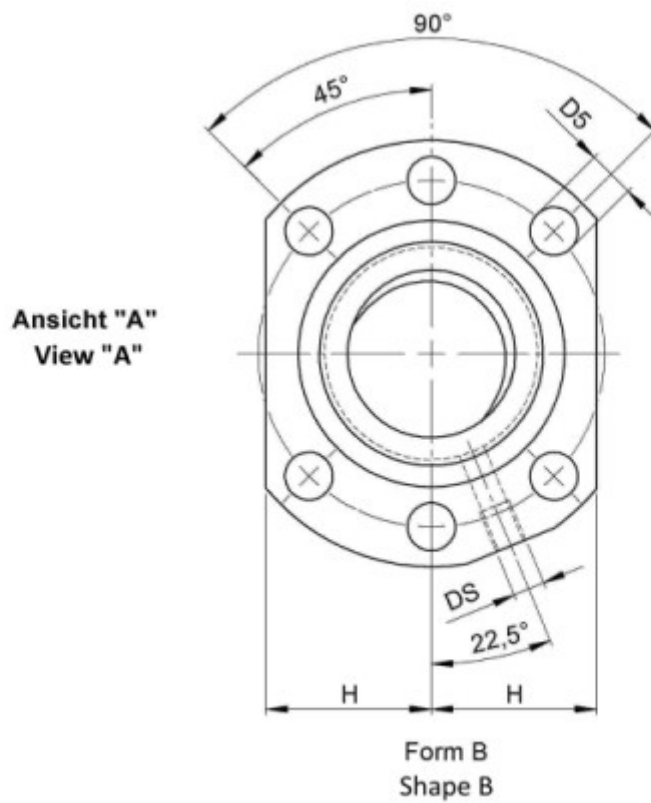
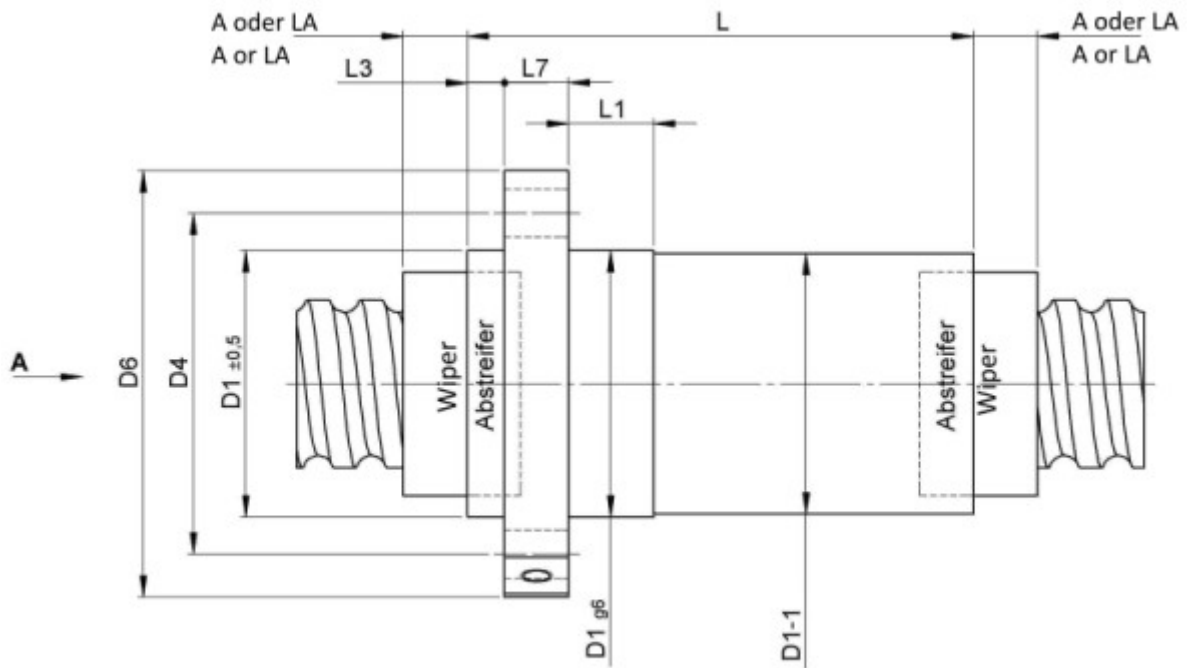
1416/5.25.3,5.5

DESCRIPTION

- Nut Series 1416 with **internal ball return**, Flange single nut with 4-point-contact with standard synthetic wipers on both ends
- Nut shape according to DIN for assembly by flange
- Single start ball thread, ground execution according to accuracy class P1 - P5



TECHNICAL DATA AND DIMENSIONS



Series			1416	Flange thickness	[mm]	L7	10
Nominal diameter	[mm]	dN	25	Preferred standard series with shortened delivery times		S*	x
Lead	[mm]	P	5	Dynamic load capacity	[kN]	Ca	21,20
Ball circles		i	1x5	Static load capacity	[kN]	C0a	35,90
Ball diameter	[mm]	dW	3,5	DN-value			120000
Additional wiper extensions for combination wipers	[mm]	LA	9	No. of starts			1
Pilot Length	[mm]	L1	10	Stiffness	[N/μm]	Rnu,ar	430
Pilot diameter	[mm]	D1	40	Friction torque FROM	[Ncm]		8,5
Pilot diameter tolerance	[mm]		g6	Friction torque TO	[Ncm]		25,4
Bolt circle diameter	[mm]	D4	51	Max. preload	[kN]		1,696
Flange hole diameter		D5	6,6	Accuracy			P
Lube hole	[mm]	DS	M6x1	Nut length	[mm]	L	66
Flange diameter	[mm]	D6	62	Wiper extension	[mm]	L3	6
Flange flat dimension	[mm]	H	24				

August Steinmeyer GmbH & Co. KG | Riedstraße 7 | 72458 Albstadt | Phone +49 (0) 7431 1288-0 | Fax +49 (0) 7431 1288-89 | info@steinmeyer.com

Drive Technology, Ball Screws, Precision Ball Screws, Miniature Ball Screws, Ultra Thrust Ball Screws, Rotating Nuts, Cooled Ball Screws, Precision Lead Screws, Differential Rolled Screws, Rolled Ball Screws