

# 1416/10.80.7,5.6

---

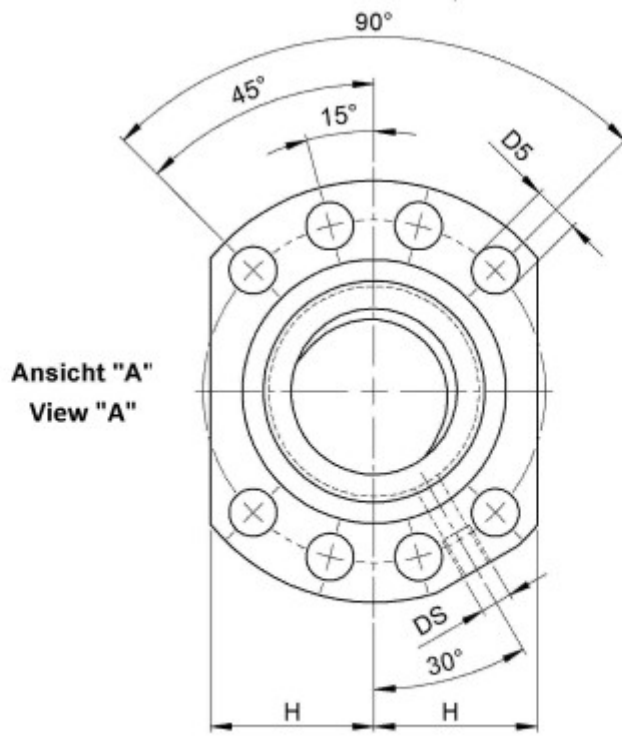
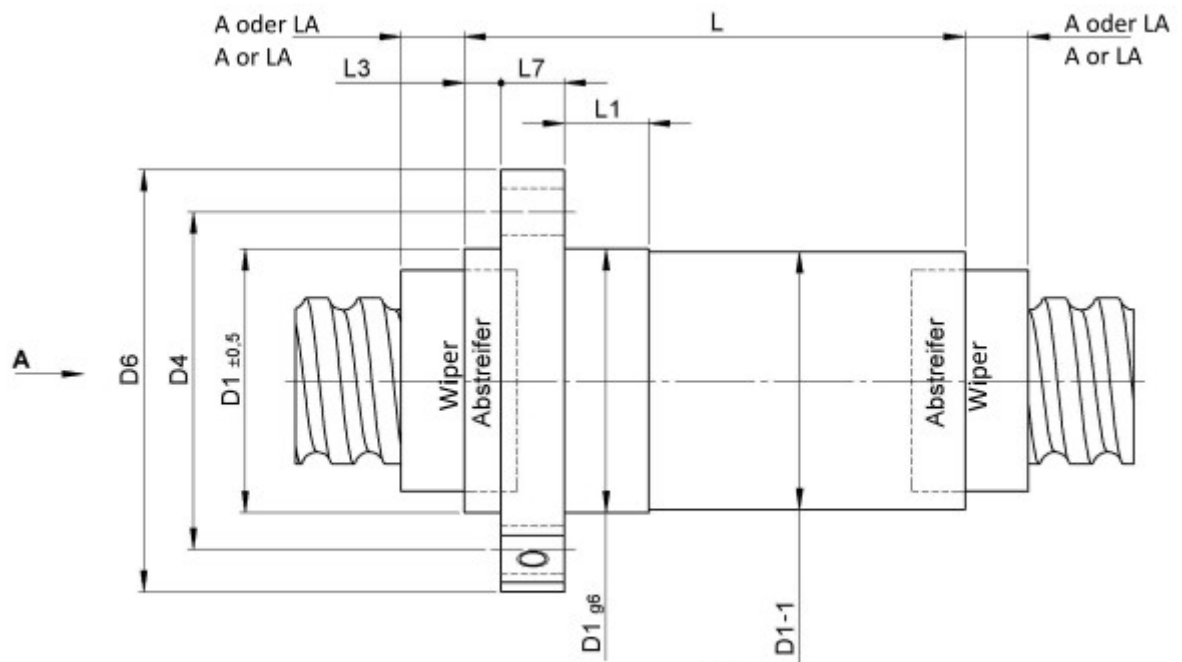
## DESCRIPTION

- Nut Series 1416 with **internal ball return**, Flange single nut with 4-point-contact with standard synthetic wipers on both ends
- Nut shape according to DIN for assembly by flange
- Single start ball thread, ground execution according to accuracy class P1 - P5



---

## TECHNICAL DATA AND DIMENSIONS



Form B  
Shape B

Series			1416	Flange thickness	[mm]	L7	20
Nominal diameter	[mm]	dN	80	Dynamic load capacity	[kN]	Ca	123,80
Lead	[mm]	P	10	Static load capacity	[kN]	C0a	328,60
Ball circles		i	1x6	Ball diameter	[mm]	dW	7,5
Additional wiper extensions for combination wipers	[mm]	LA	12	DN-value			120000
Pilot Length	[mm]	L1	16	No. of starts			1
Pilot diameter	[mm]	D1	105	Stiffness	[N/μm]	Rnu,ar	1530
Pilot diameter tolerance	[mm]		g6	Friction torque FROM	[Ncm]		237,7
Bolt circle diameter	[mm]	D4	125	Friction torque TO	[Ncm]		396,2
Flange hole diameter		D5	13,5	Max. preload	[kN]		9,904
Lube hole	[mm]	DS	M8x1	Accuracy			P
Flange diameter	[mm]	D6	145	Nut length	[mm]	L	125
Flange flat dimension	[mm]	H	55	Wiper extension	[mm]	L3	7

August Steinmeyer GmbH & Co. KG | Riedstraße 7 | 72458 Albstadt | Phone +49 (0) 7431 1288-0 | Fax +49 (0) 7431 1288-89 | [info@steinmeyer.com](mailto:info@steinmeyer.com)

Drive Technology, Ball Screws, Precision Ball Screws, Miniature Ball Screws, Ultra Thrust Ball Screws, Rotating Nuts, Cooled Ball Screws, Precision Lead Screws, Differential Rolled Screws, Rolled Ball Screws