

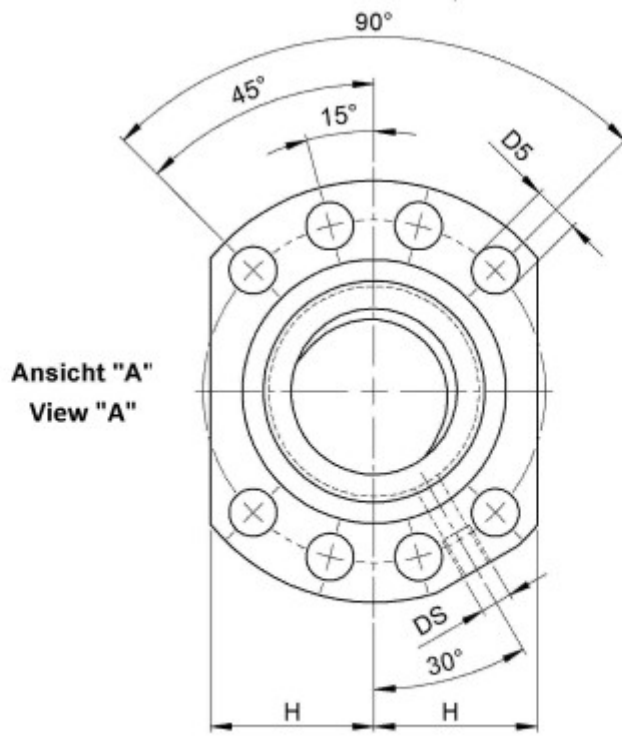
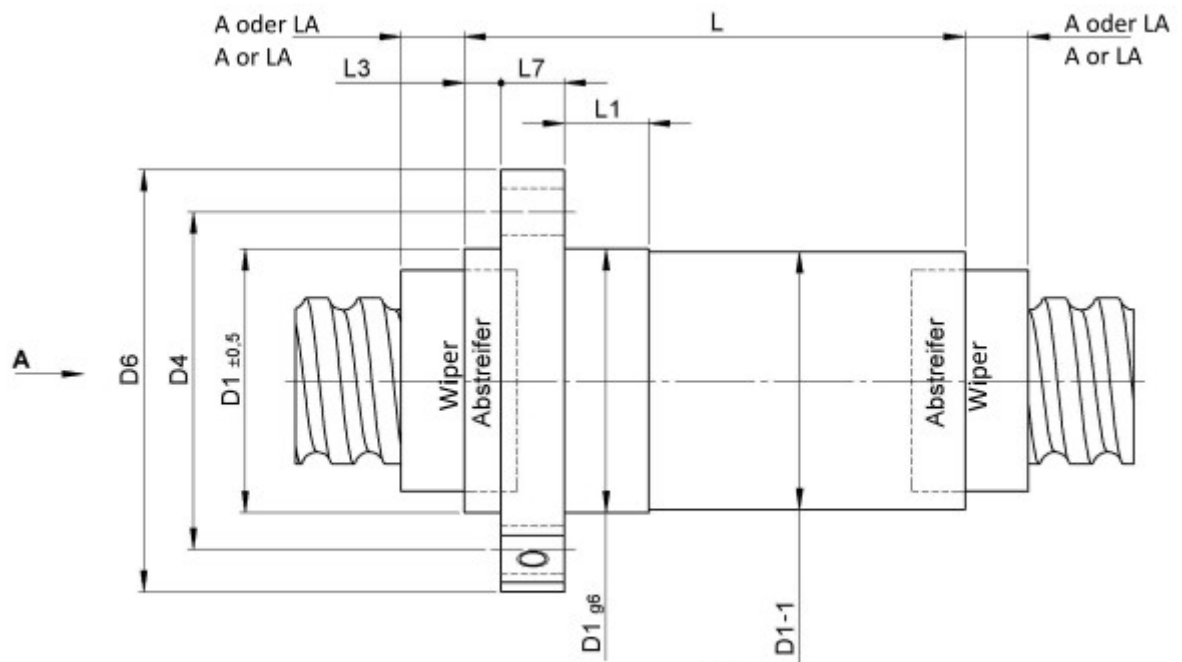
1516/10.40.6.3

DESCRIPTION

- Nut Series 1516 with **internal ball return**, Flange double nut with 2-point-contact, with standard synthetic wipers on both ends
- Nut shape according to DIN for assembly by flange
- Single start ball thread, ground execution according to accuracy class P1 - P5



TECHNICAL DATA AND DIMENSIONS



Ansicht "A"
View "A"

Form B
Shape B

Series			1516	Nut length	[mm]	L	147
Nominal diameter	[mm]	dN	40	Wiper extension	[mm]	L3	7
Lead	[mm]	P	10	Flange thickness	[mm]	L7	14
Ball circles		i	2x3	Dynamic load capacity	[kN]	Ca	35,20
Ball diameter	[mm]	dW	6	Static load capacity	[kN]	C0a	59,60
DN-value			120000	No. of starts			1
Additional wiper extensions for combination wipers	[mm]	LA	12	Stiffness	[N/μm]	Rnu,ar	640
Pilot Length	[mm]	L1	16	Pilot diameter	[mm]	D1	63
Pilot diameter tolerance	[mm]		g6	Bolt circle diameter	[mm]	D4	78
Flange hole diameter		D5	9	Max. preload	[kN]		3,52
Flange diameter	[mm]	D6	93				

August Steinmeyer GmbH & Co. KG | Riedstraße 7 | 72458 Albstadt | Phone +49 (0) 7431 1288-0 | Fax +49 (0) 7431 1288-89 | info@steinmeyer.com

Drive Technology, Ball Screws, Precision Ball Screws, Miniature Ball Screws, Ultra Thrust Ball Screws, Rotating Nuts, Cooled Ball Screws, Precision Lead Screws, Differential Rolled Screws, Rolled Ball Screws